

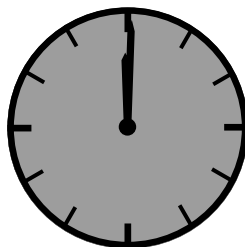
# Nissan Pathfinder/ Navara; Modell 2010

EU-Pedestrian Protection Bully 60 low/ EU-Personenschutzbügel 60 niedrig



## FITTING INSTRUCTIONS

Montageanleitung • Instructions de montage  
Instrucciones de montaje • Manual



60 Minuten

### Artikel-Nr:

127 4513 Stainless Steel  
127 5513 Steel black  
127 9513 Mounting Set

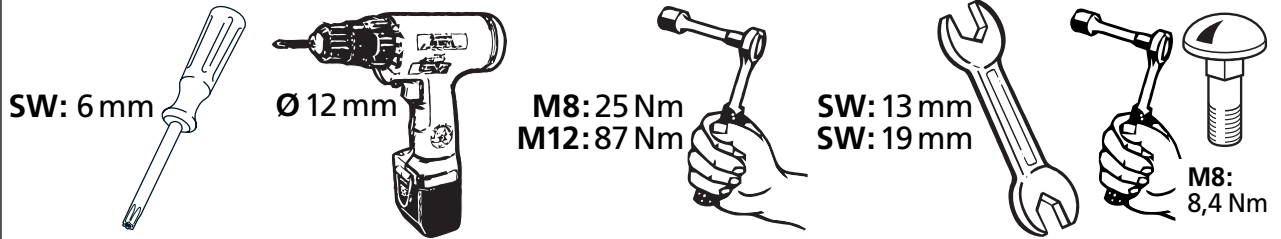
Revision 1: 10.9.2010



# Nissan Pathfinder/ Navara; Modell 2010

EU-Pedestrian Protection Bully 60 low/ EU-Personenschutzbügel 60 niedrig

## Required tools / Benötigte Werkzeuge / Outillage requis / Herramientas necesarias



## Parts list / Teileliste / Lista de accesorios

1 ø76; 127 4713.1 / 127 5713.1



## Standard Parts list / Normteileliste

|   |  |                 |    |
|---|--|-----------------|----|
| a |  | M8x20; DIN 933  | 4x |
| b |  | M12x30; DIN 961 | 2x |
| c |  | M8x20; DIN 603  | 4x |
| d |  | M8x20; DIN 912  | 2x |
| e |  | M8; DIN 934     | 4x |
| f |  | ø8; DIN 127     | 8x |
| g |  | ø12; DIN 127    | 2x |
| h |  | ø8,4; DIN 9021  | 8x |
| i |  | ø13; DIN 9021   | 2x |
| k |  | SW 13           | 8x |

## Mounting set 127 9513 / Montagesatz 127 9513

2 127 5328R / 127 5329L



3 127 5330R / 127 5331L



4 127 5324

2x



5 M8; 105 5032

2x



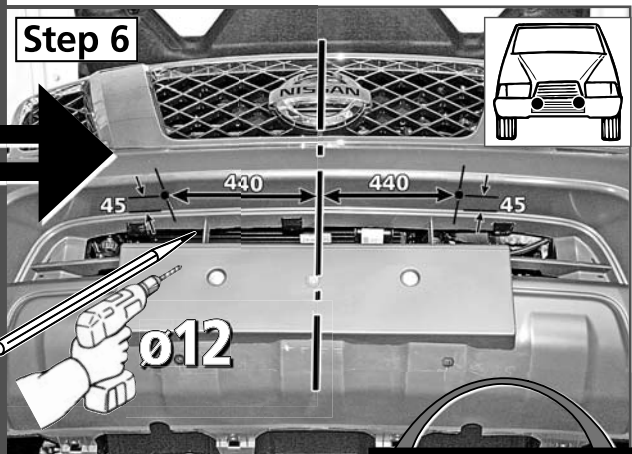
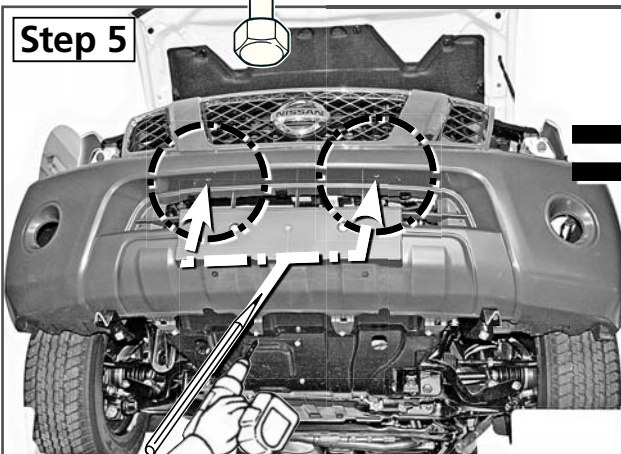
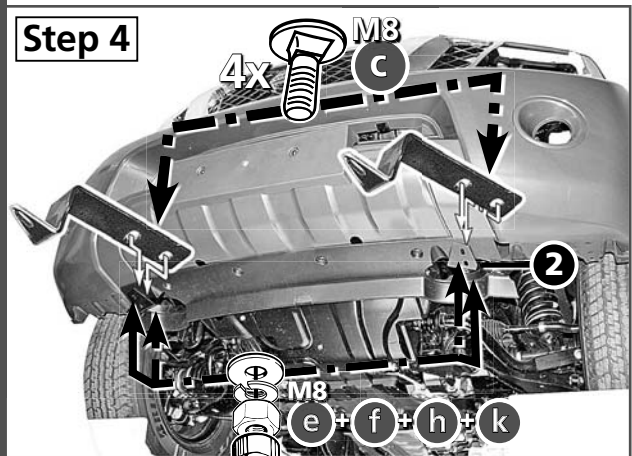
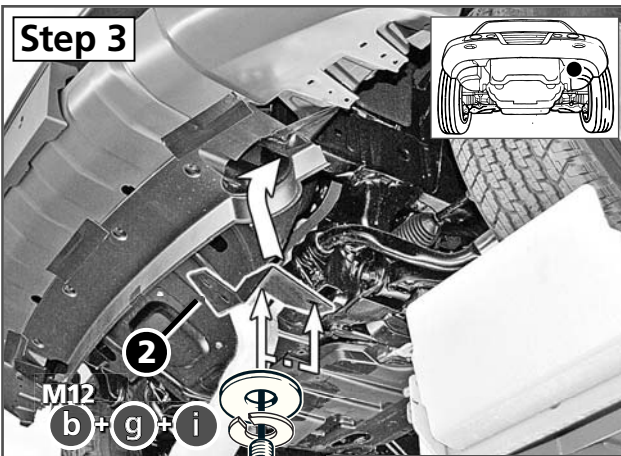
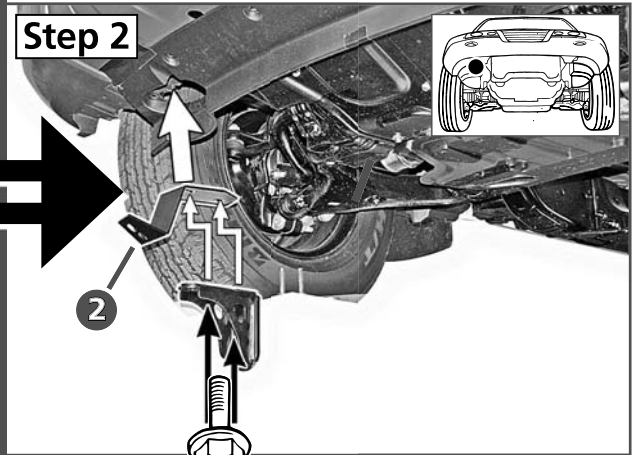
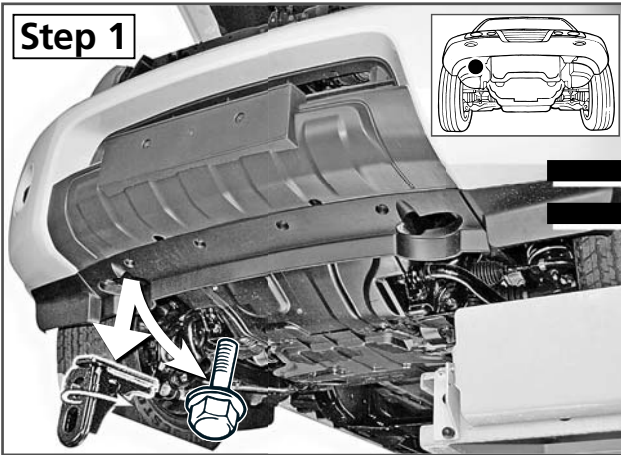
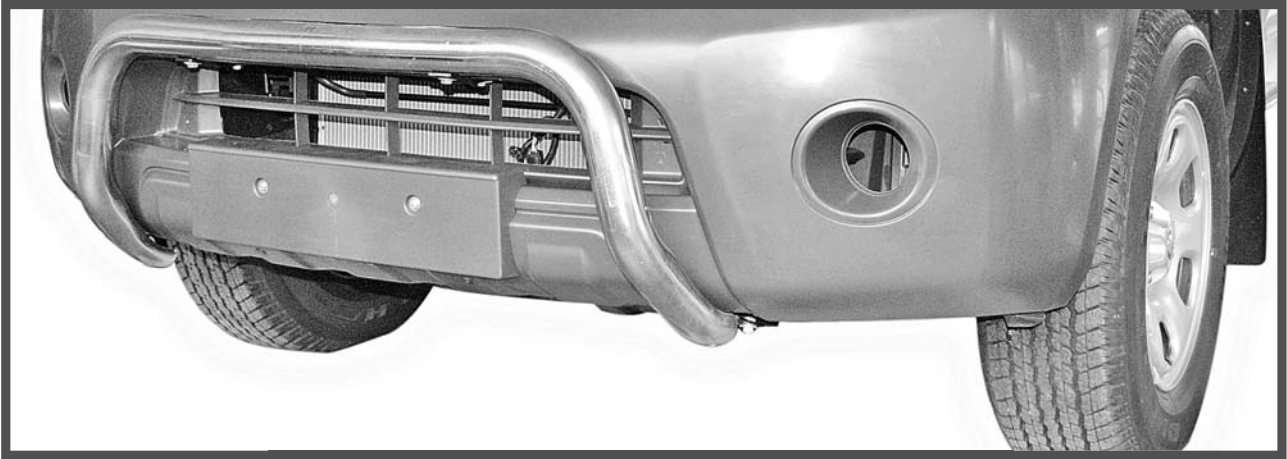
## Artikel-Nr:

127 4513 Stainless Steel

127 5513 Steel black

127 9513 Mounting Set

Revision 1: 10.9.2010

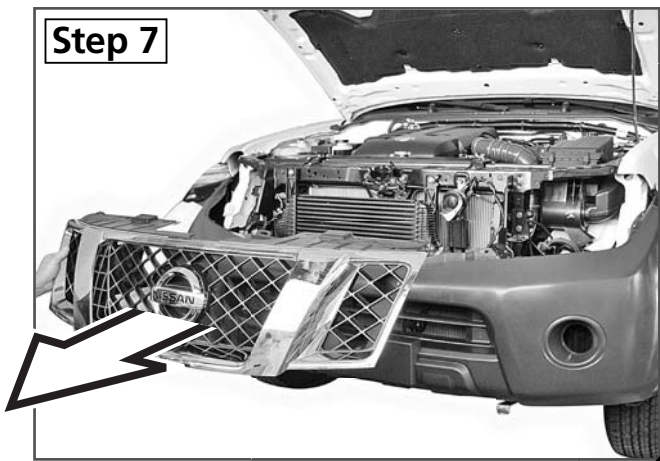


Artikel-Nr:  
127 4513 Stainless Steel

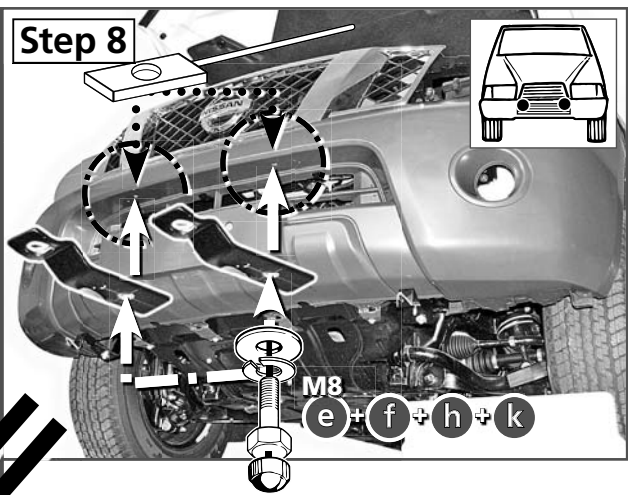
Revision 1: 10.9.2010



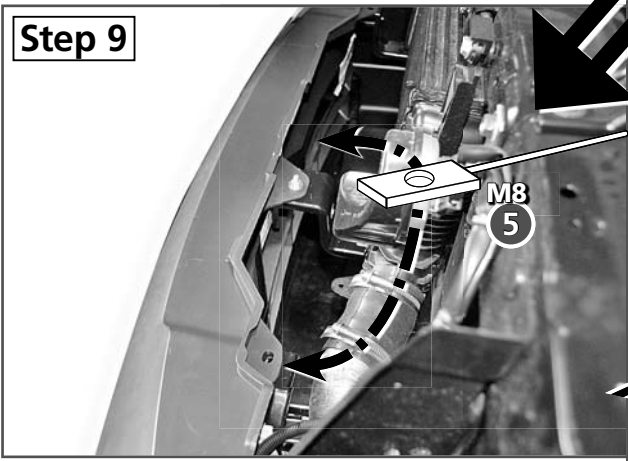
Step 7



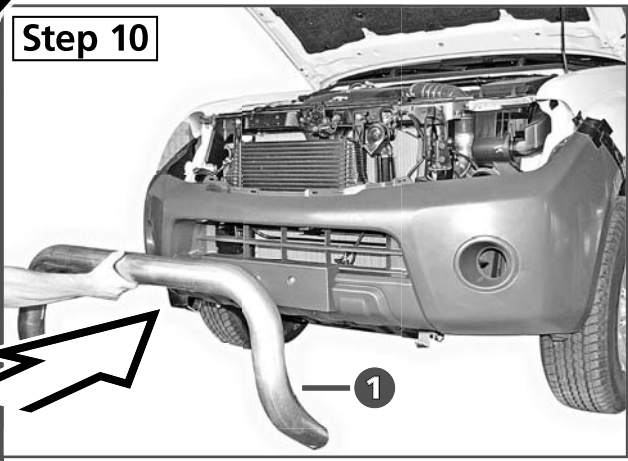
Step 8



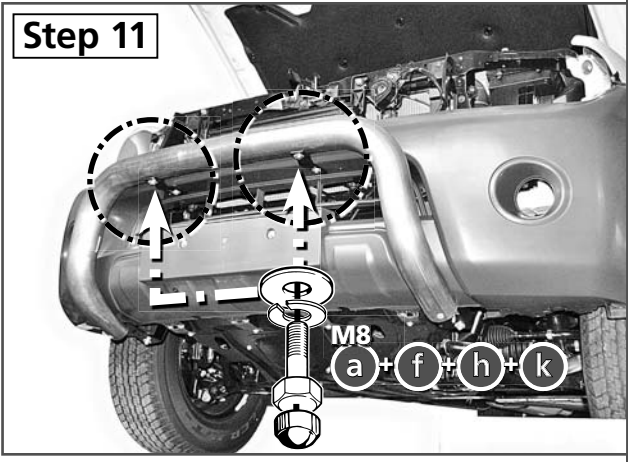
Step 9



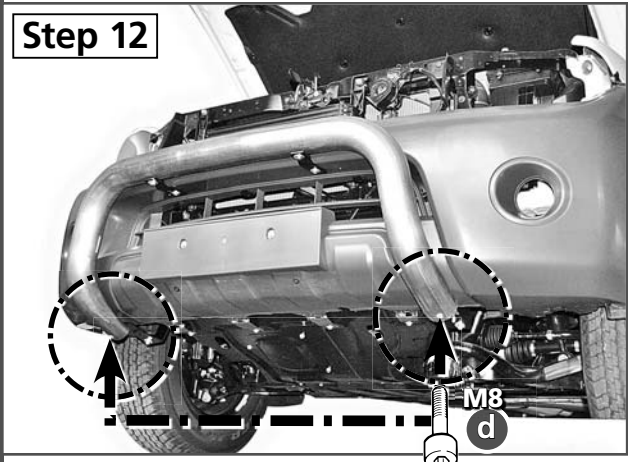
Step 10



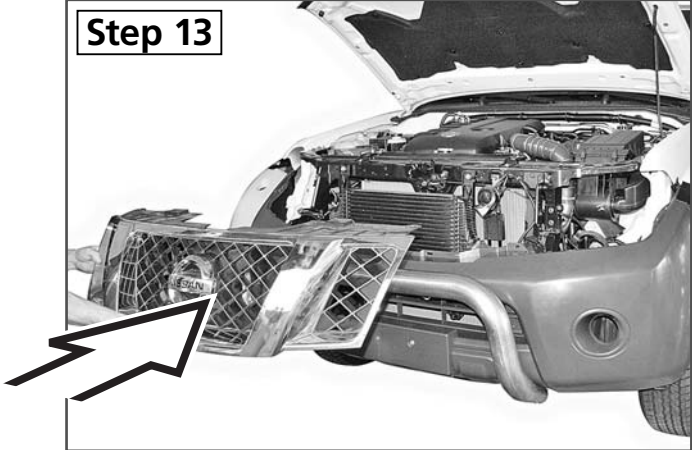
Step 11



Step 12



Step 13



Step 14

