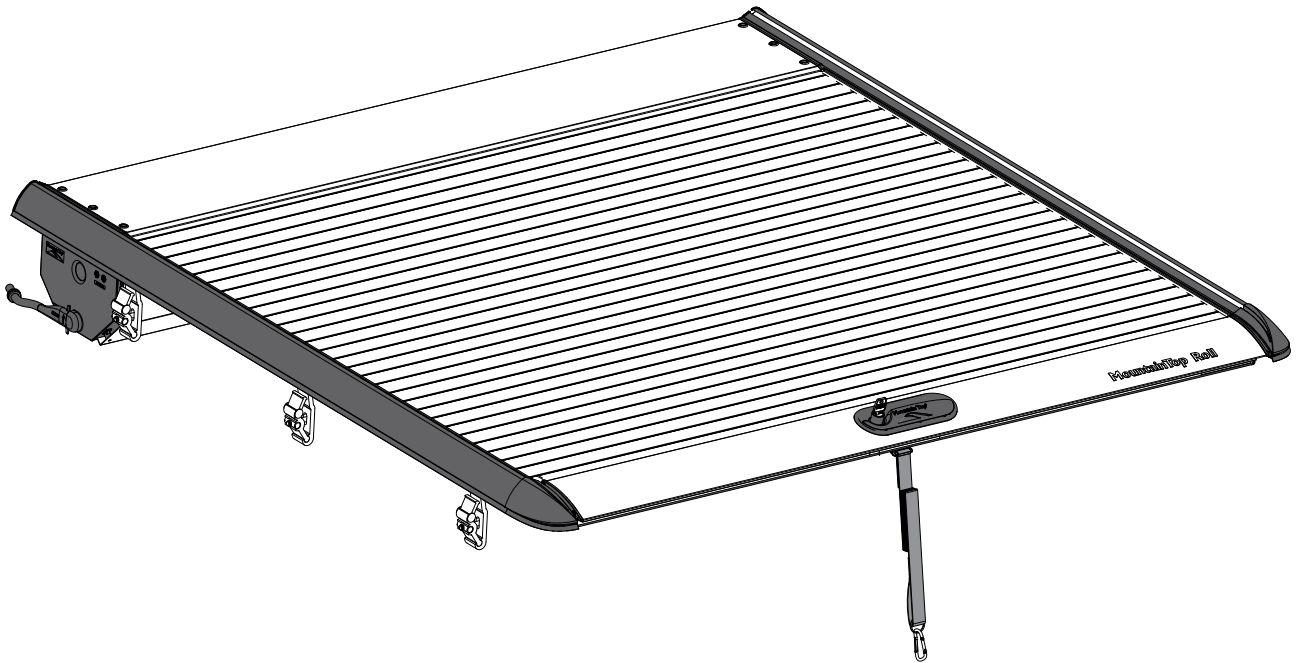


Mountain Top Roll  
Installation Instructions



Model Year:	TOYOTA FORD ISUZU	2005 T/D: 2011 T/D 2012 T/D
Part Number:	MTR TO80 A01 MTR TO81 A01 MTR FO90 A01 MTR FO91 A01 MTR IS90 A01 MTR IS90 S01 MTR IS91 A01	Double cab Extra cab Double cab Suber cab Double cab Double cab (black) Space cab



Weight: 31 / 36 kg.



Installation Time: 2 hr.

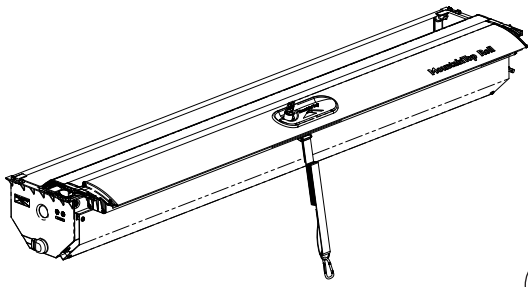
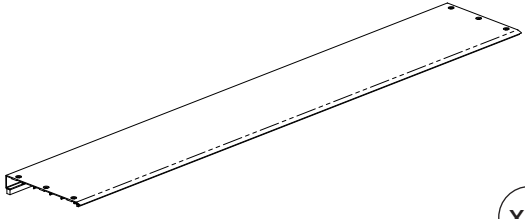
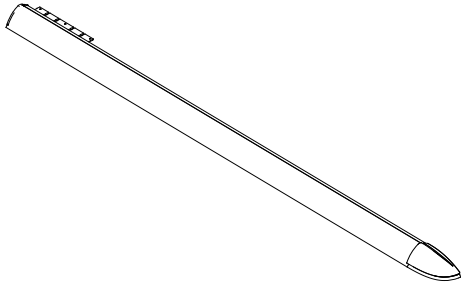
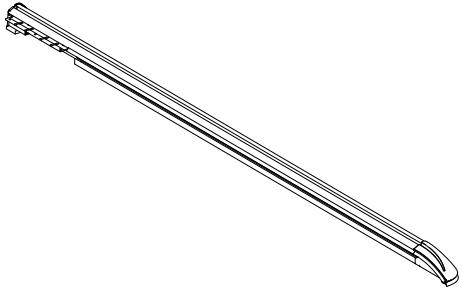
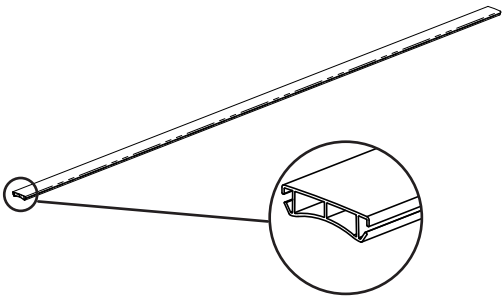

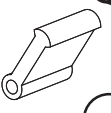

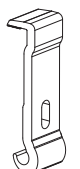

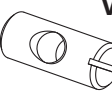
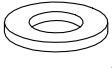
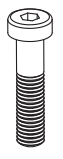
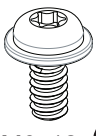

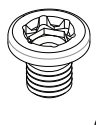

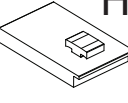
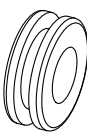
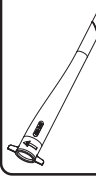

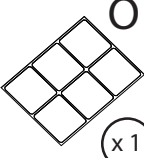


Video Installation intruction



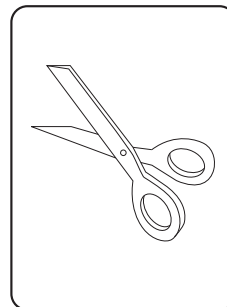
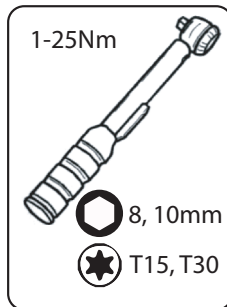
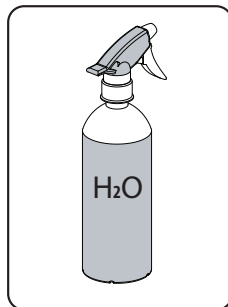
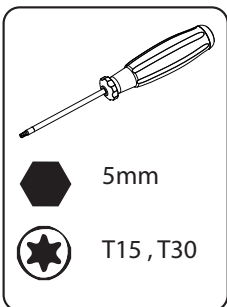
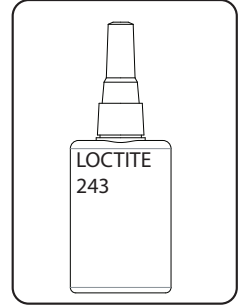
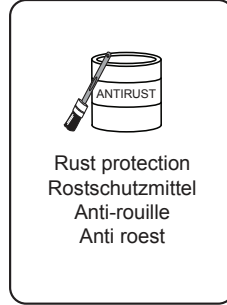
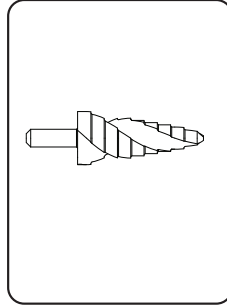
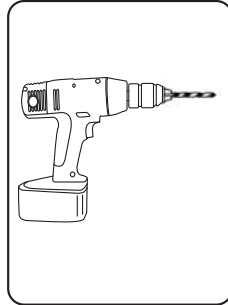
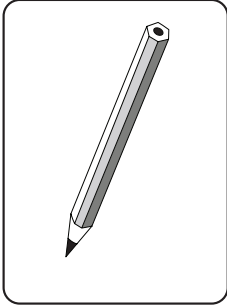
<http://youtu.be/2yM2hbpICdg>

Mountain Top Roll  
Installation Instructions

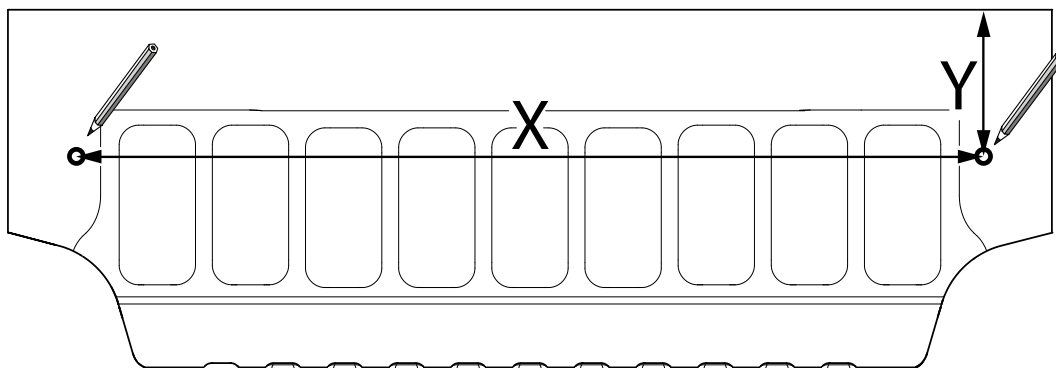
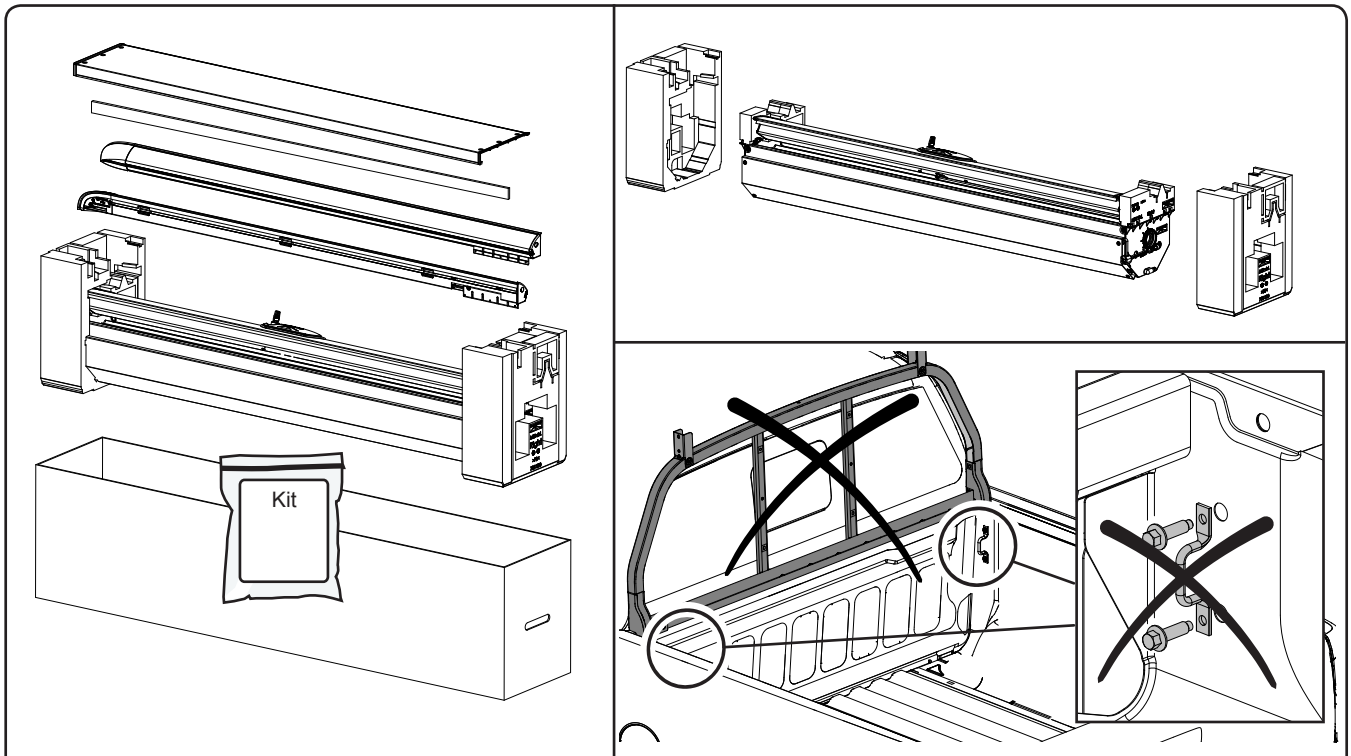


 <p><b>A</b></p> <p>x 1</p>	 <p><b>B</b></p> <p>x 1</p>					
 <p><b>C</b></p> <p>x 1</p>	 <p><b>D</b></p> <p>x 1</p>					
 <p><b>E</b></p> <p>x 1</p>						
 <p>Kit</p>	 <p><b>Q</b></p> <p>x 6</p>	 <p><b>R</b></p> <p>x 6</p>	 <p><b>S</b></p> <p>x 6</p>	 <p><b>P</b></p> <p>x 12</p>	 <p><b>V</b></p> <p>x 6</p>	 <p><b>T</b></p> <p>Ø8</p> <p>x 6</p>
 <p><b>U</b></p> <p>x 6</p>	 <p><b>I</b></p> <p>M6x12</p> <p>x 4</p>	 <p><b>M</b></p> <p>x 6</p>	 <p><b>L</b></p> <p>M5x6</p> <p>x 6</p>	 <p><b>K</b></p> <p>x 6</p>	 <p><b>H</b></p> <p>x 2</p>	
 <p><b>G</b></p> <p>x 2</p>	 <p><b>J</b></p> <p>x 2</p>	 <p><b>N</b></p> <p>x 2</p>	 <p><b>O</b></p> <p>x 1</p>	 <p><b>TÜV</b></p> <p>x 1</p>	 <p><b>Installation Manual</b></p> <p>x 1</p>	

Mountain Top Roll  
Installation Instructions



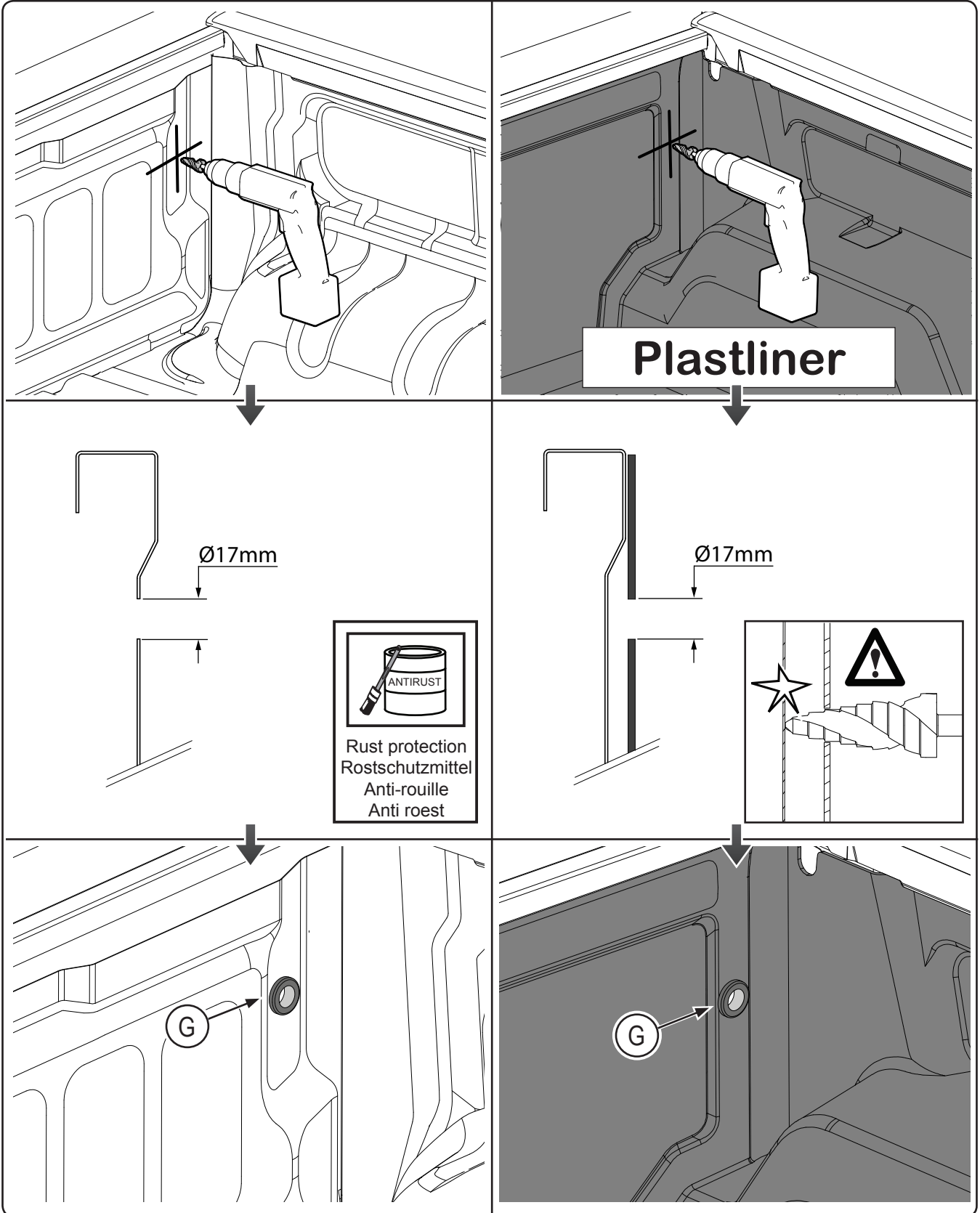
Mountain Top Roll  
Installation Instructions



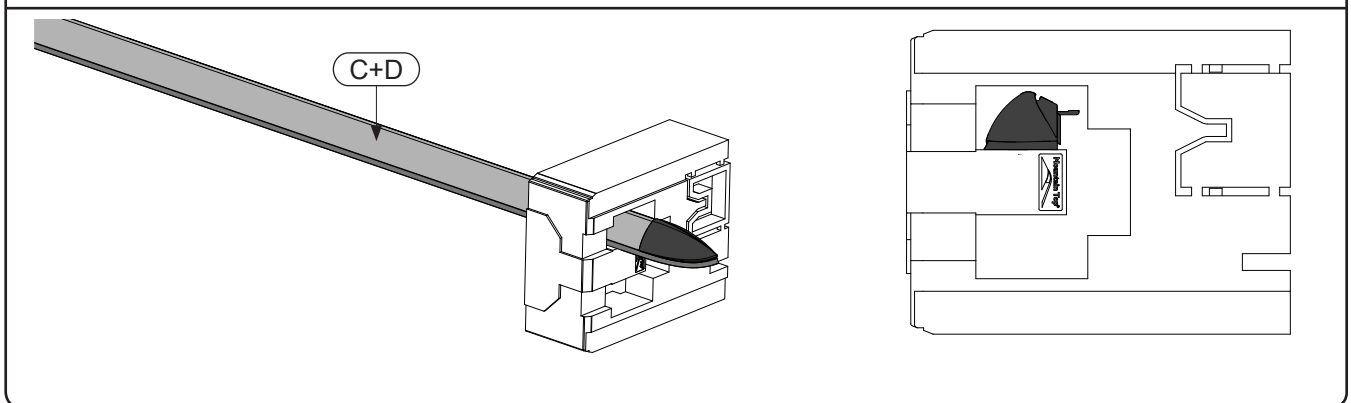
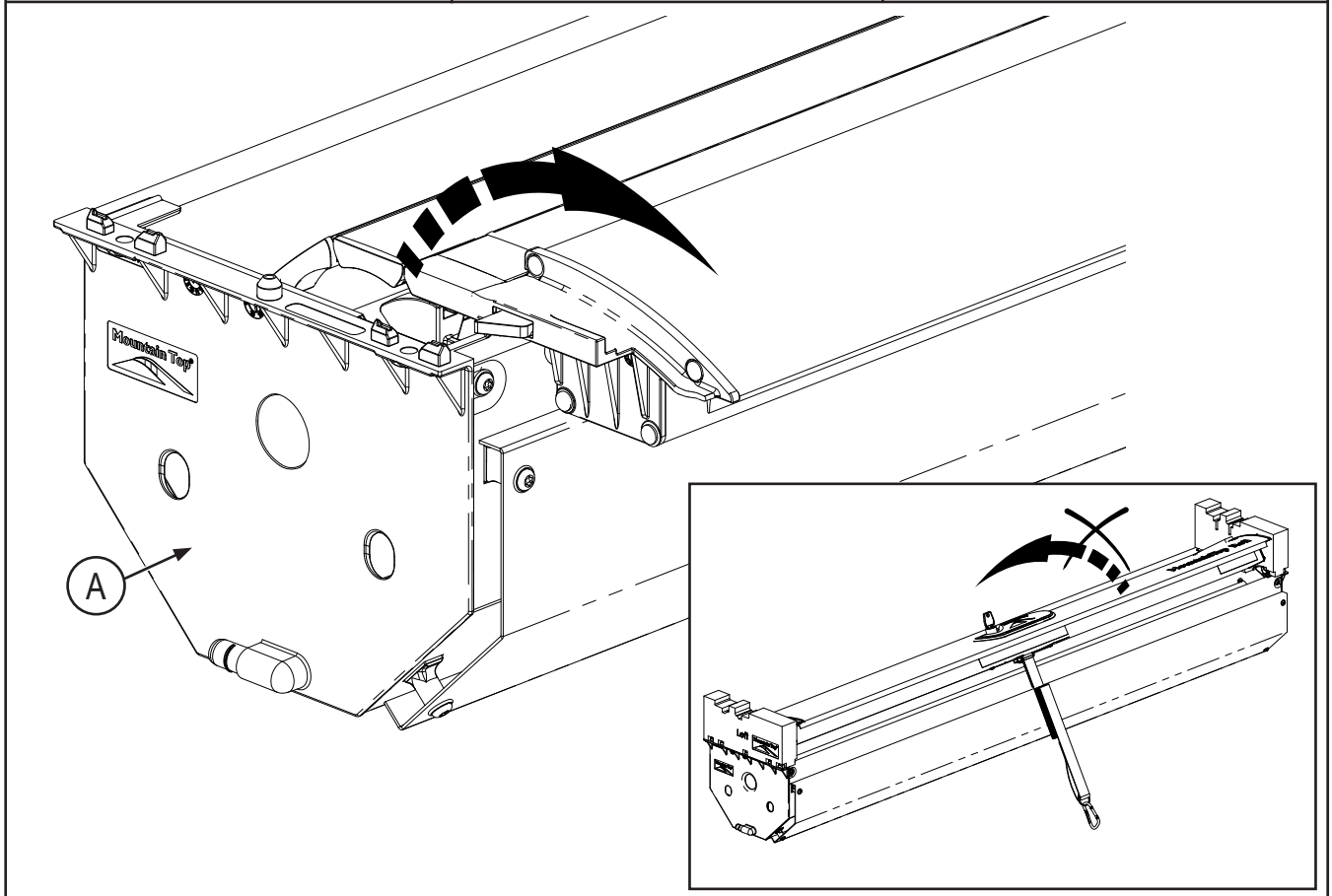
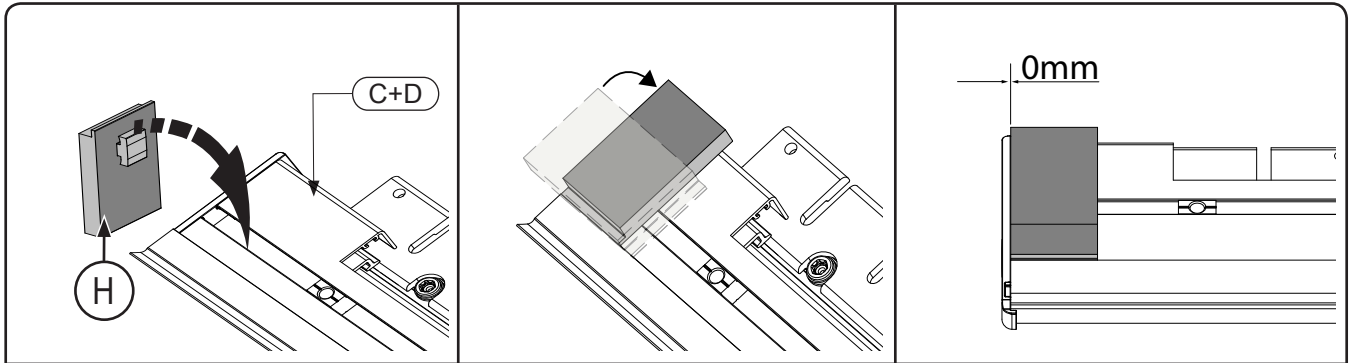
Plain bed		
	X	Y
TOYOTA	1421	180
ISUZU	1456	190
FORD	1460	208



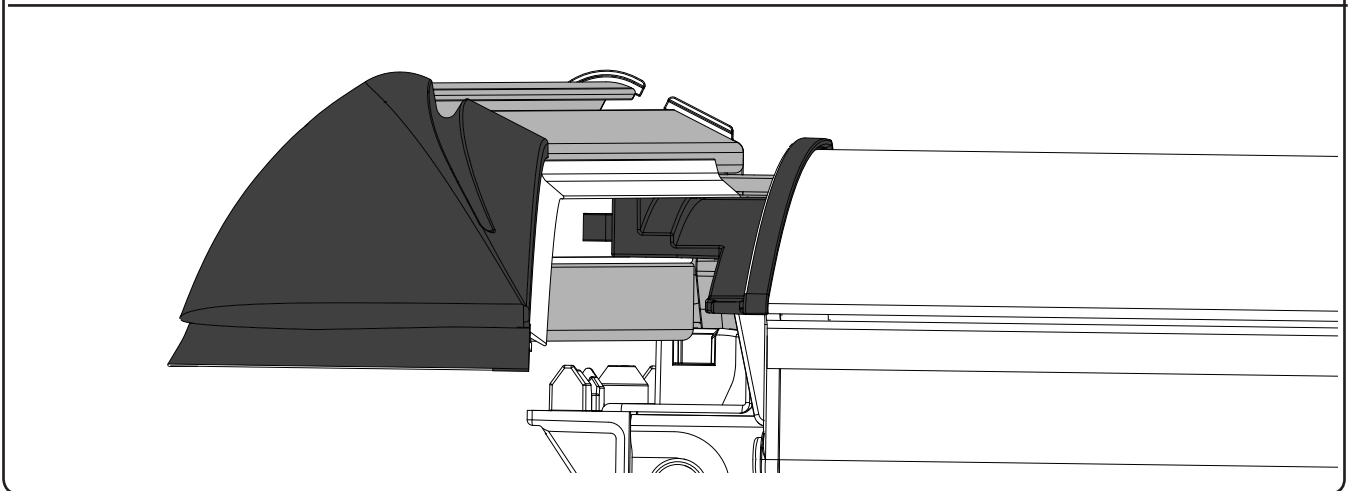
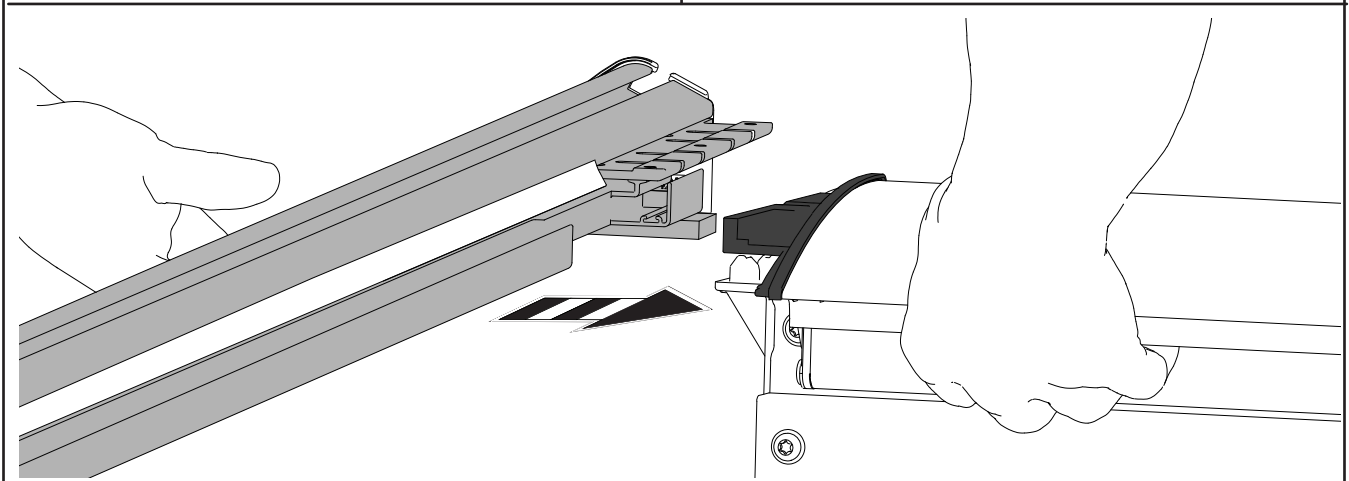
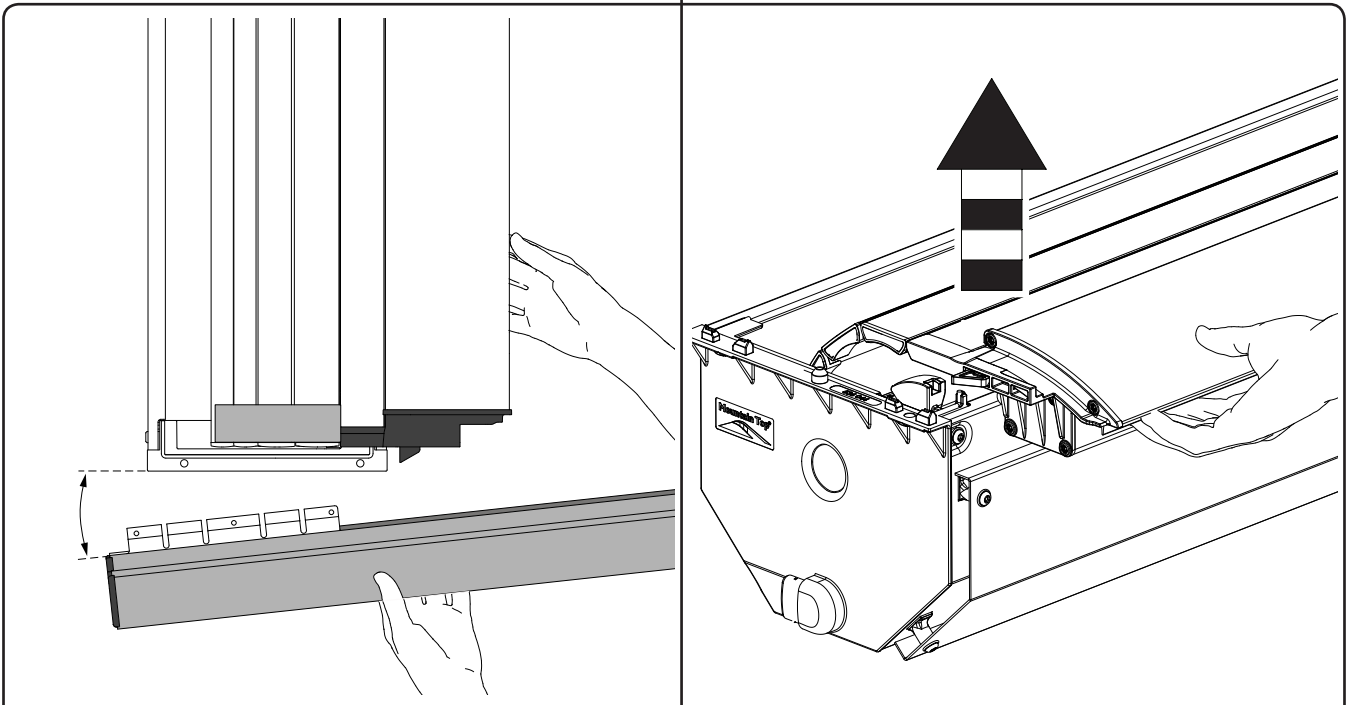
Mountain Top Roll  
Installation Instructions



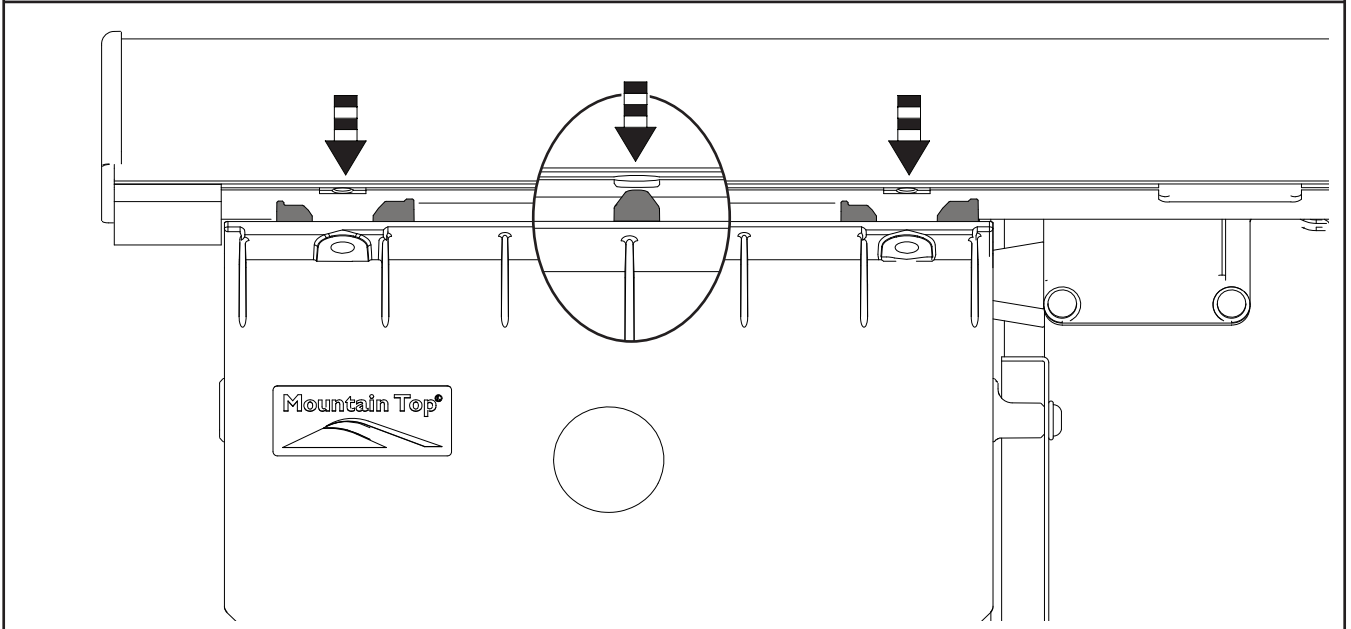
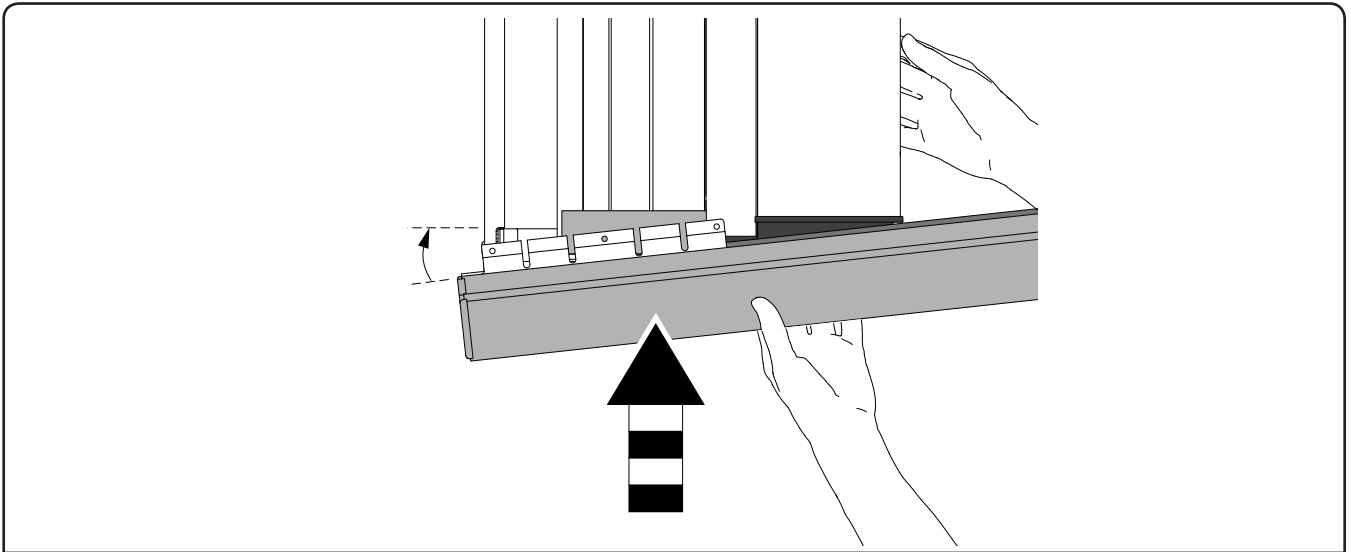
Mountain Top Roll  
Installation Instructions



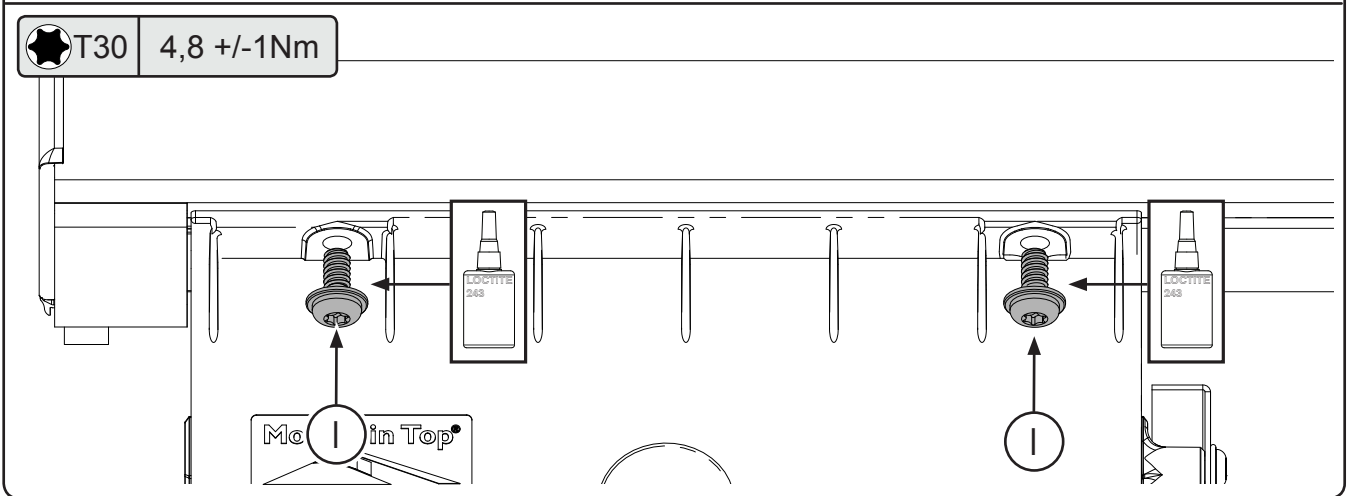
Mountain Top Roll  
Installation Instructions



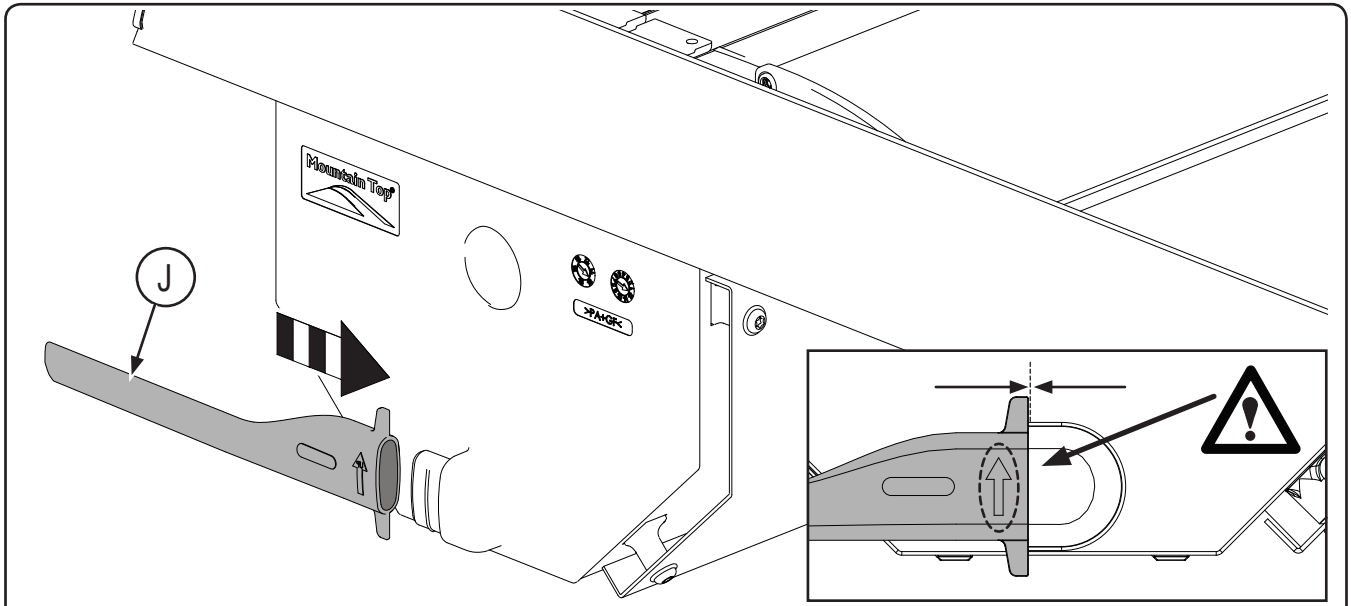
Mountain Top Roll  
Installation Instructions




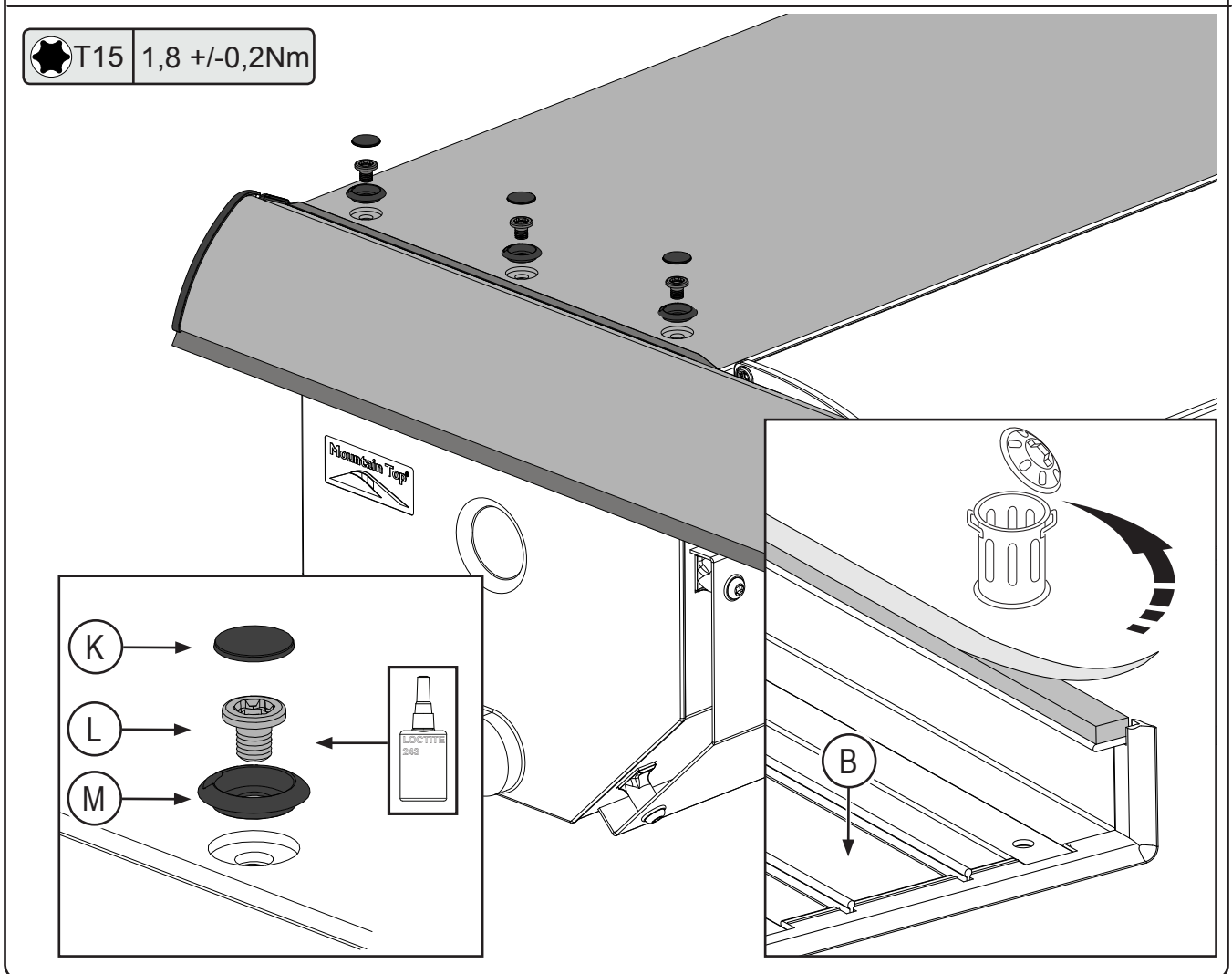
 T30 4,8 +/-1Nm



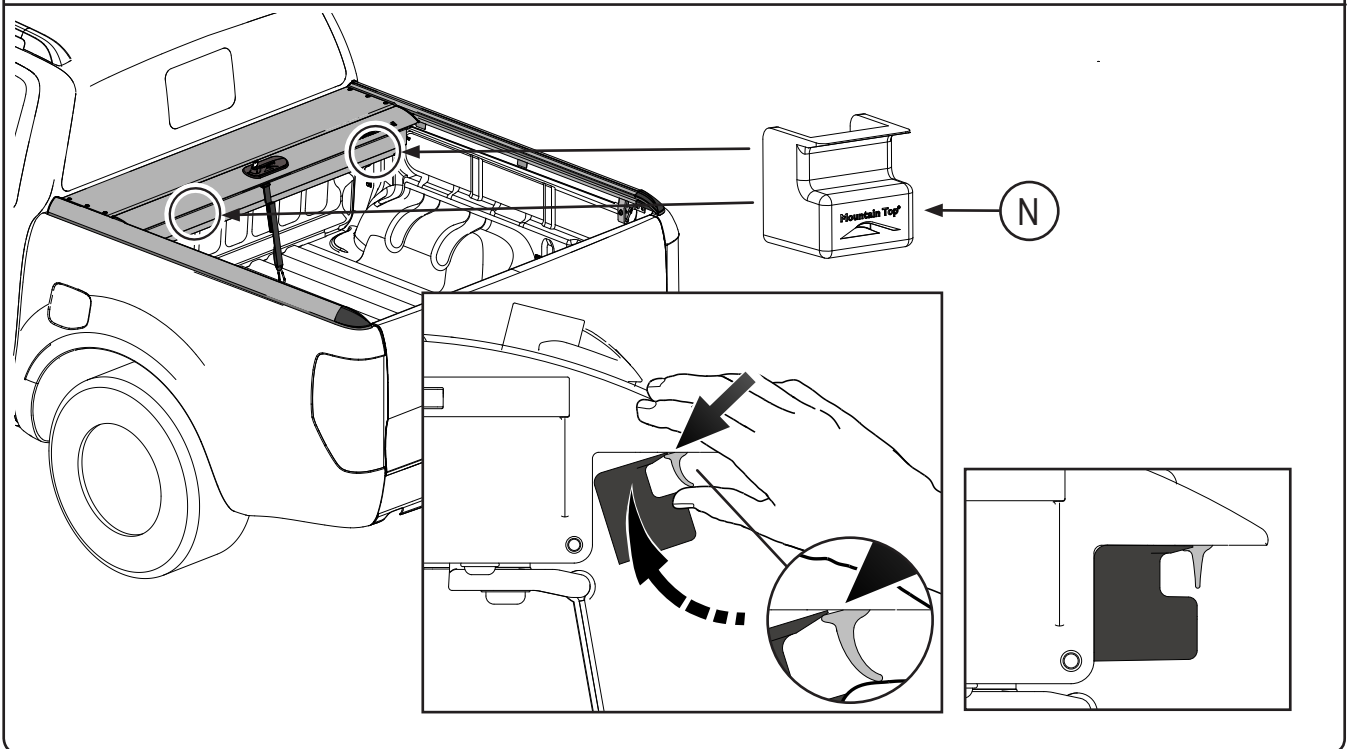
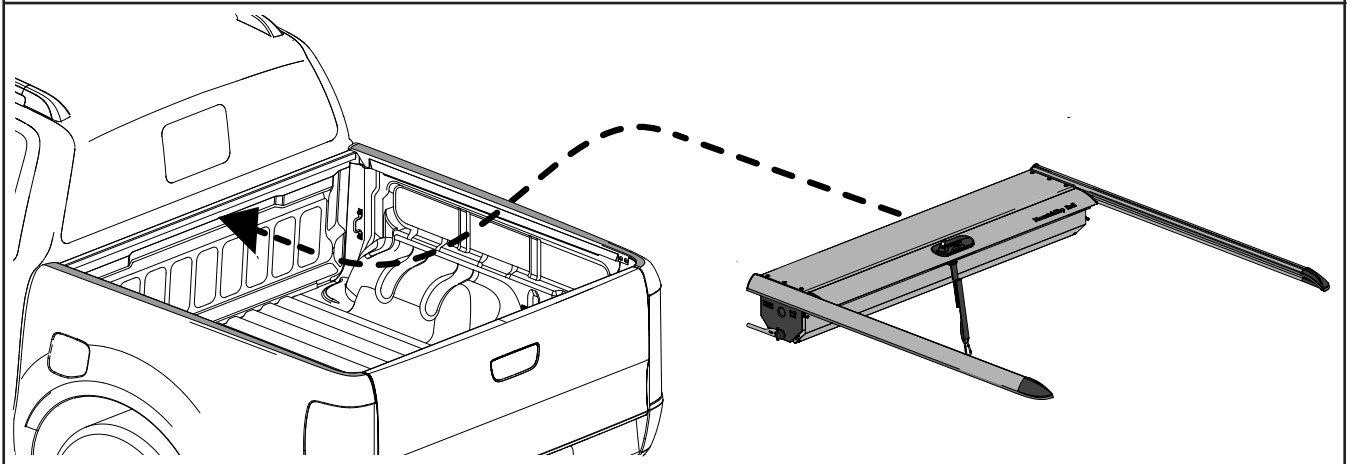
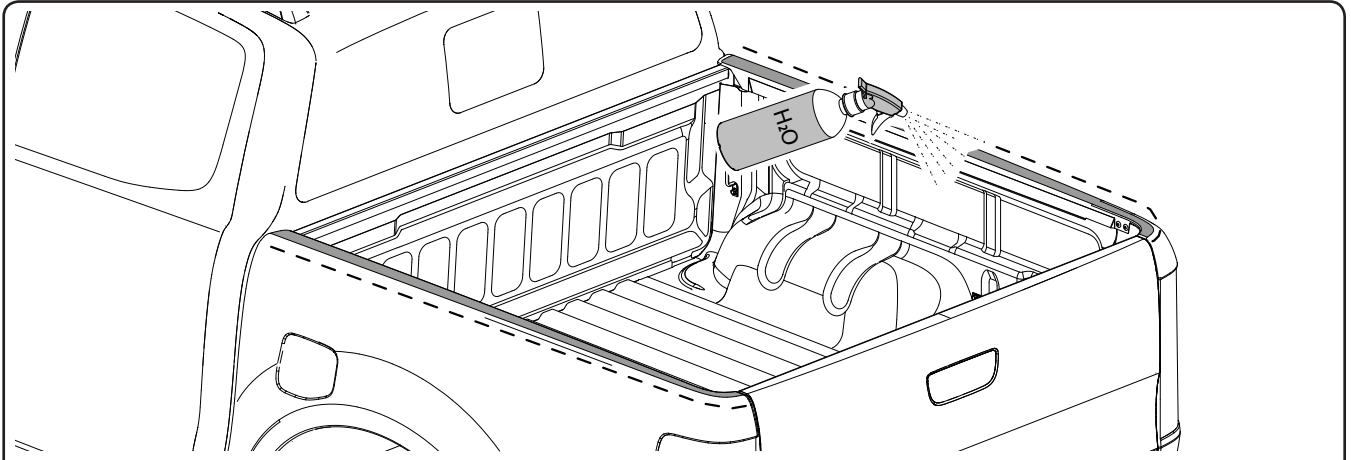
Mountain Top Roll  
Installation Instructions



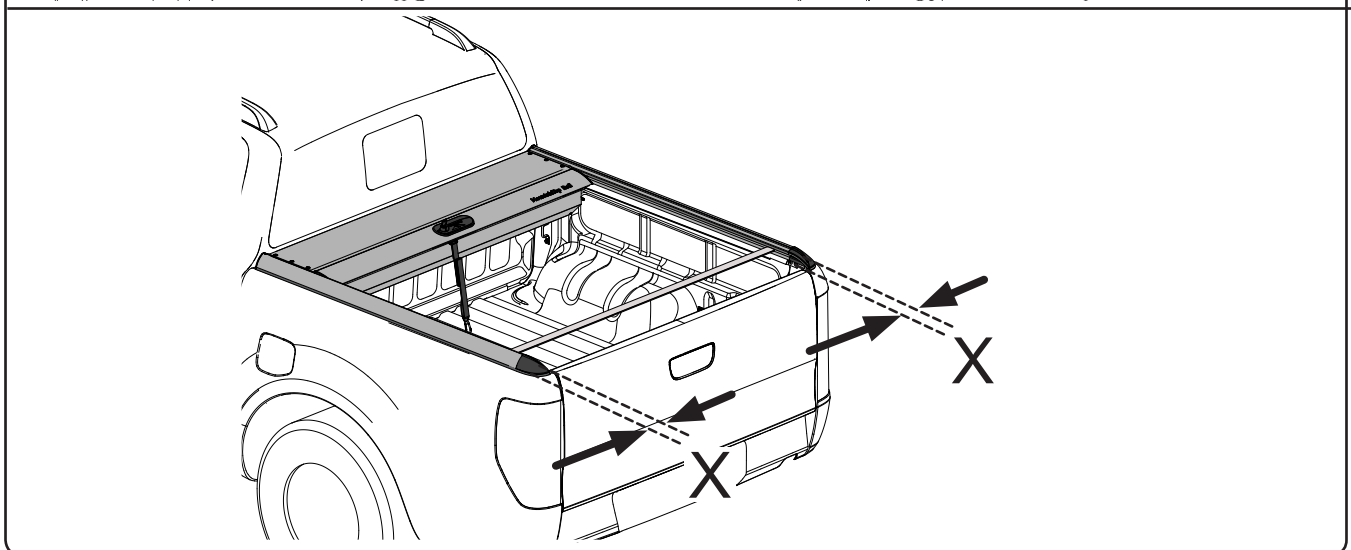
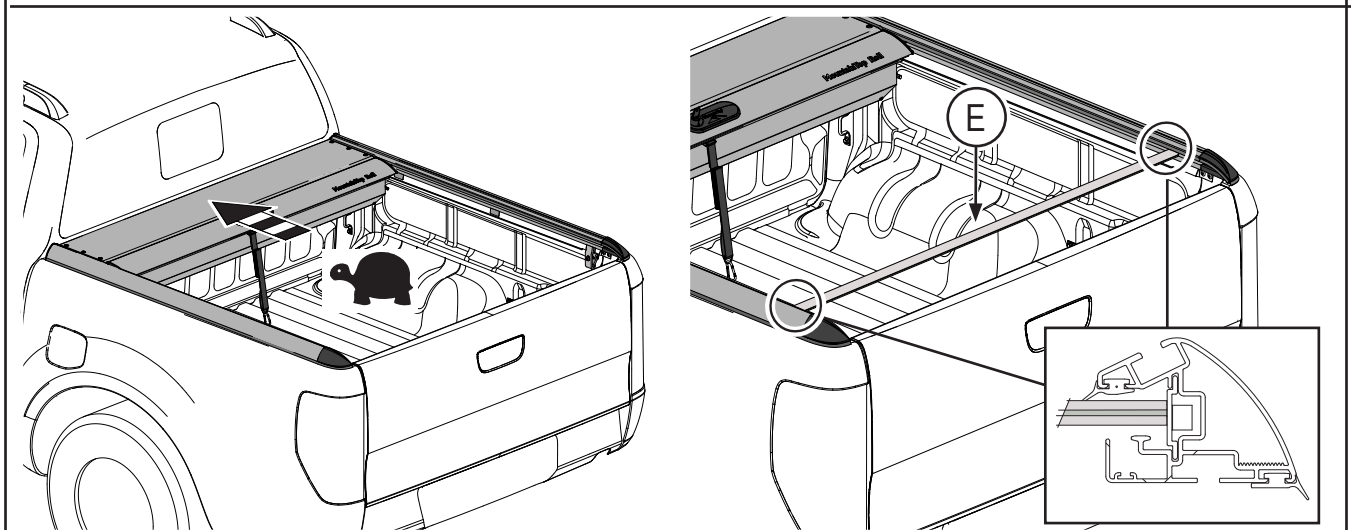
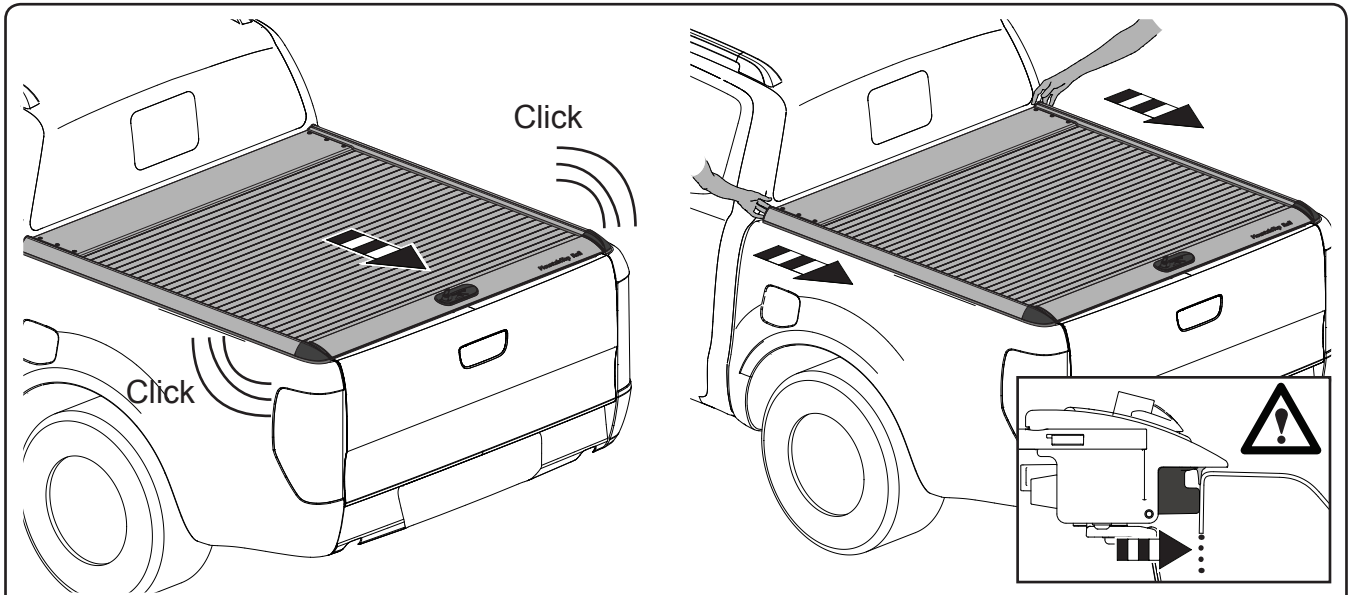
 T15 1,8 +/-0,2Nm



**Mountain Top Roll  
Installation Instructions**

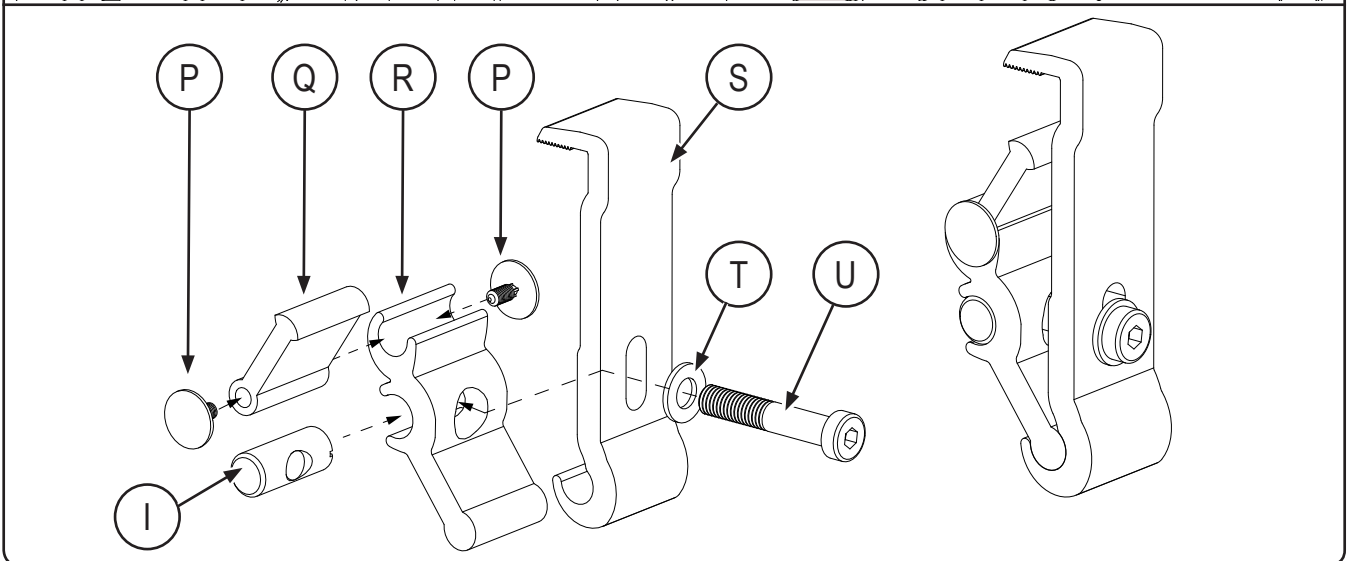
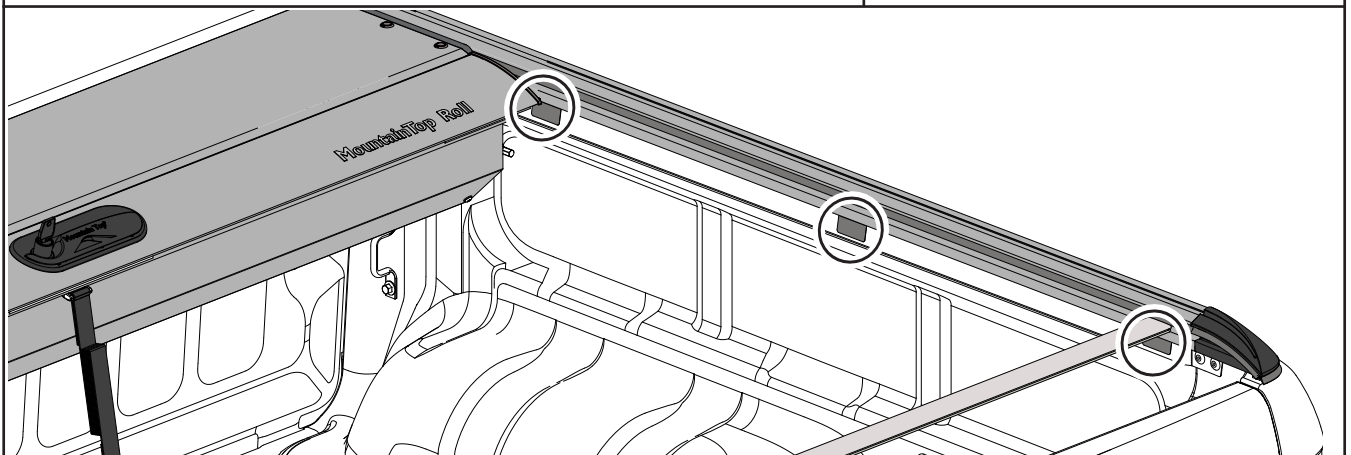
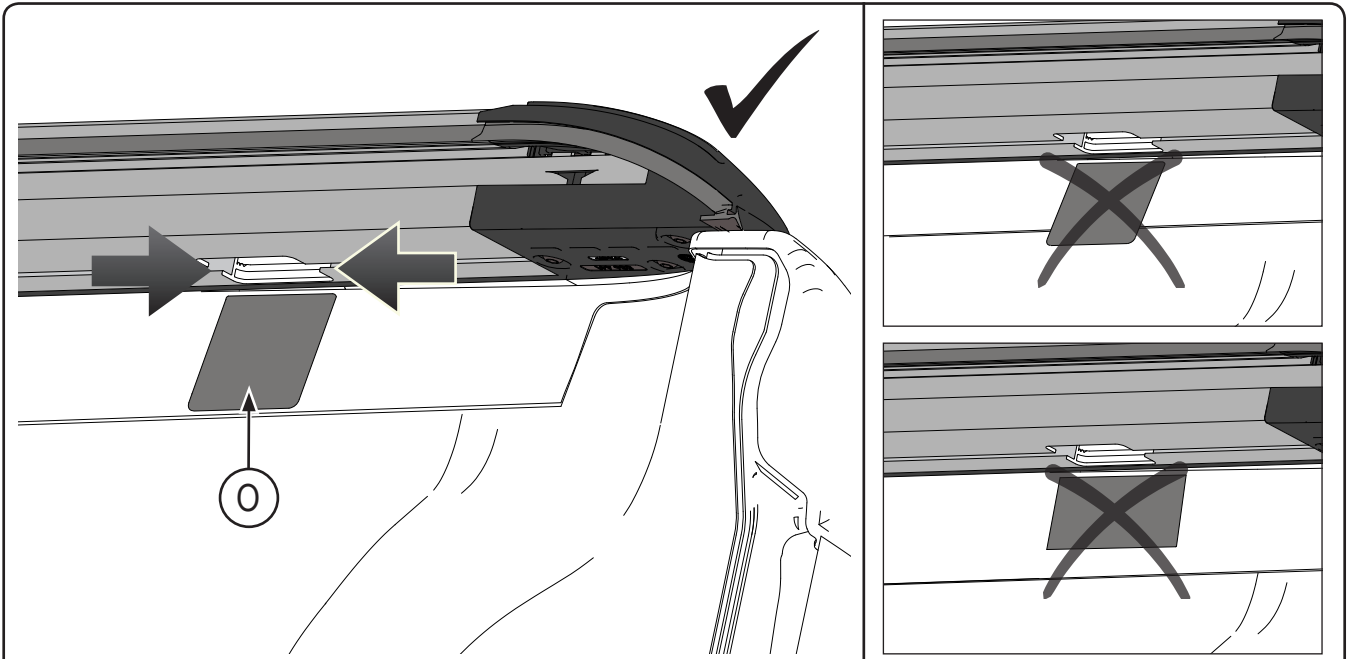


Mountain Top Roll  
Installation Instructions



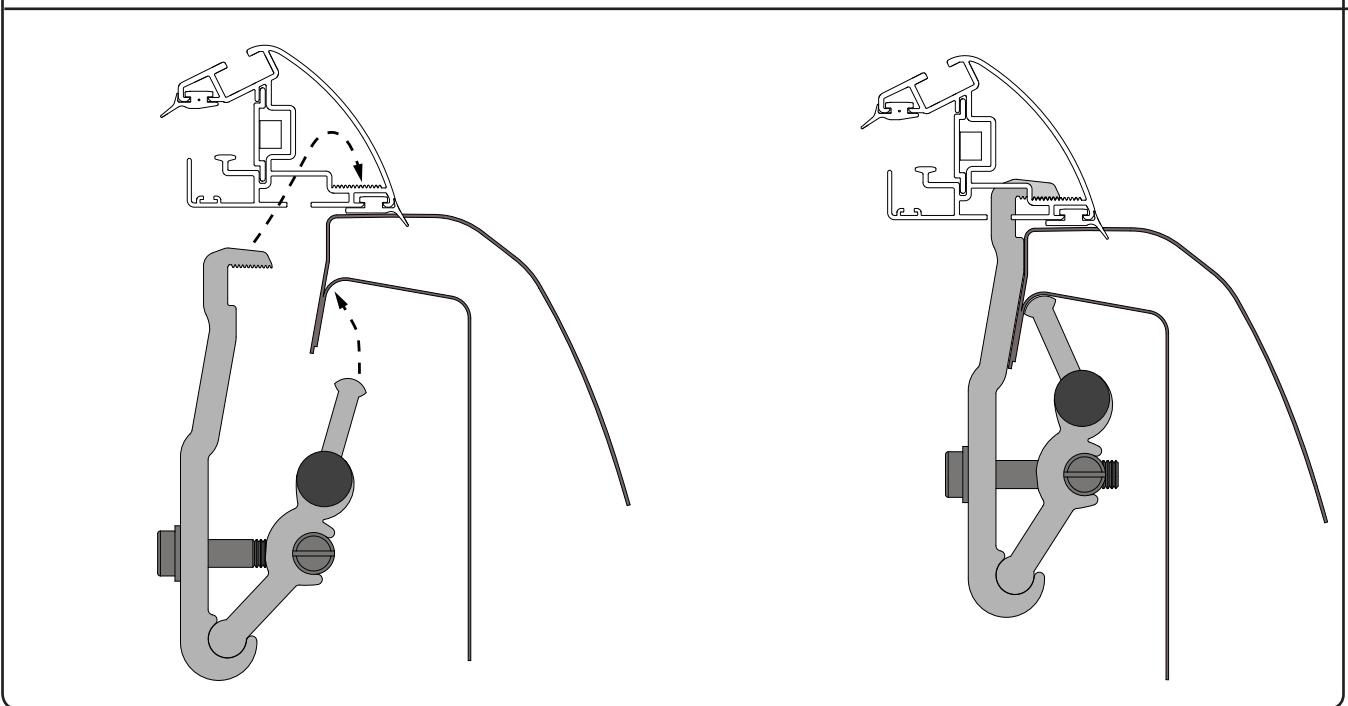
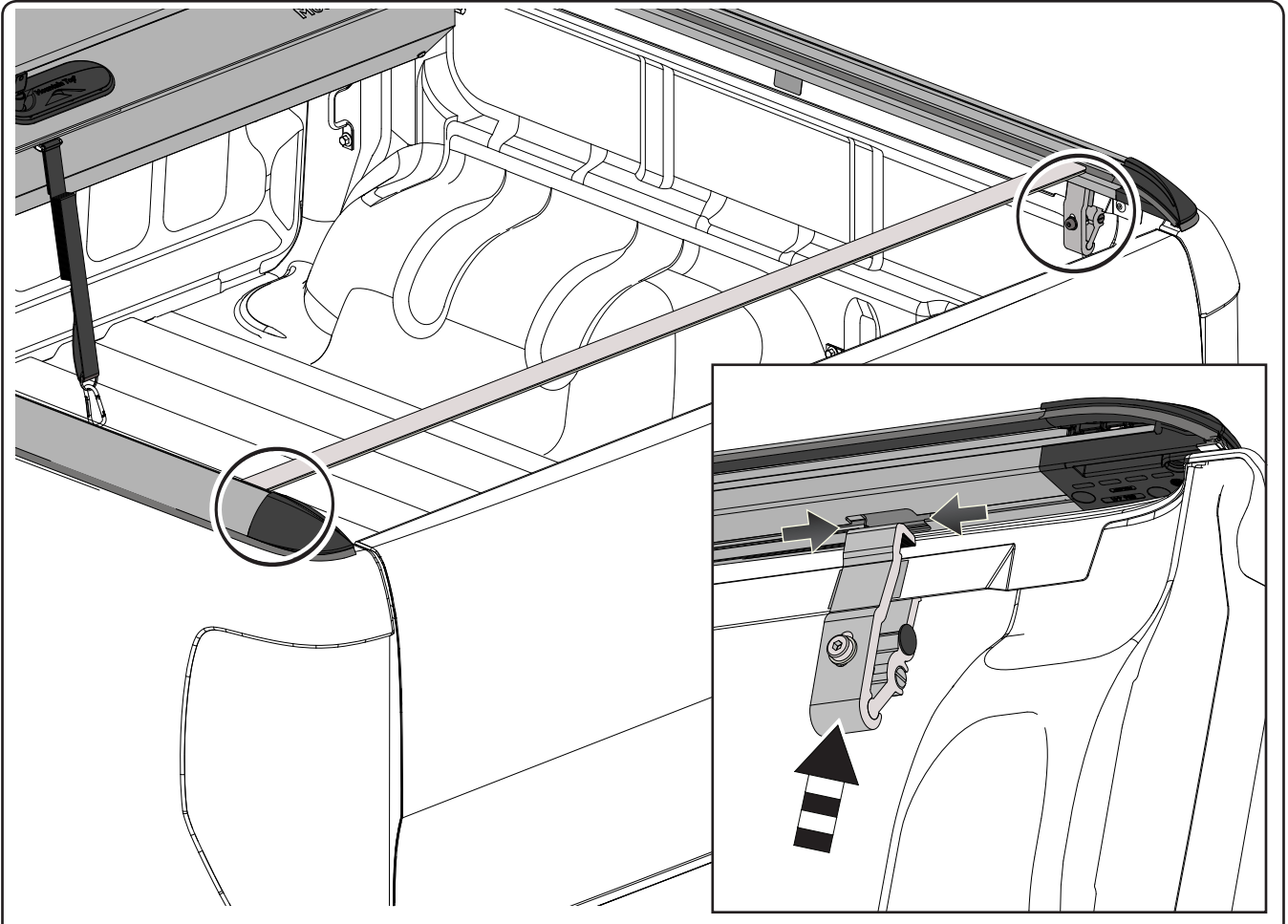


Mountain Top Roll  
Installation Instructions

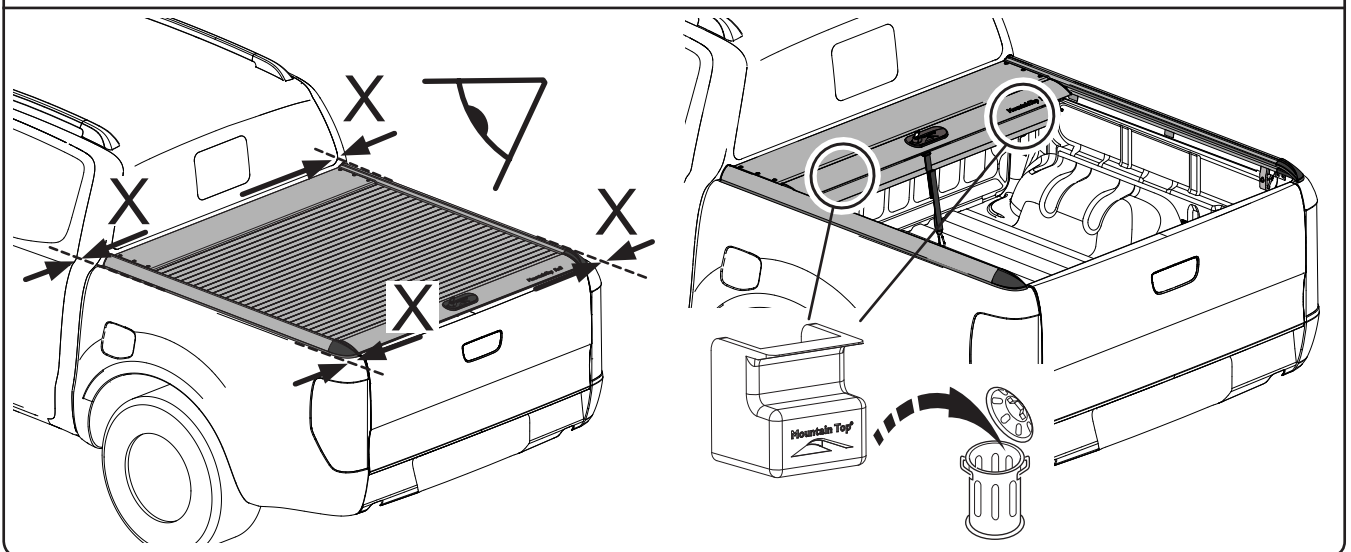
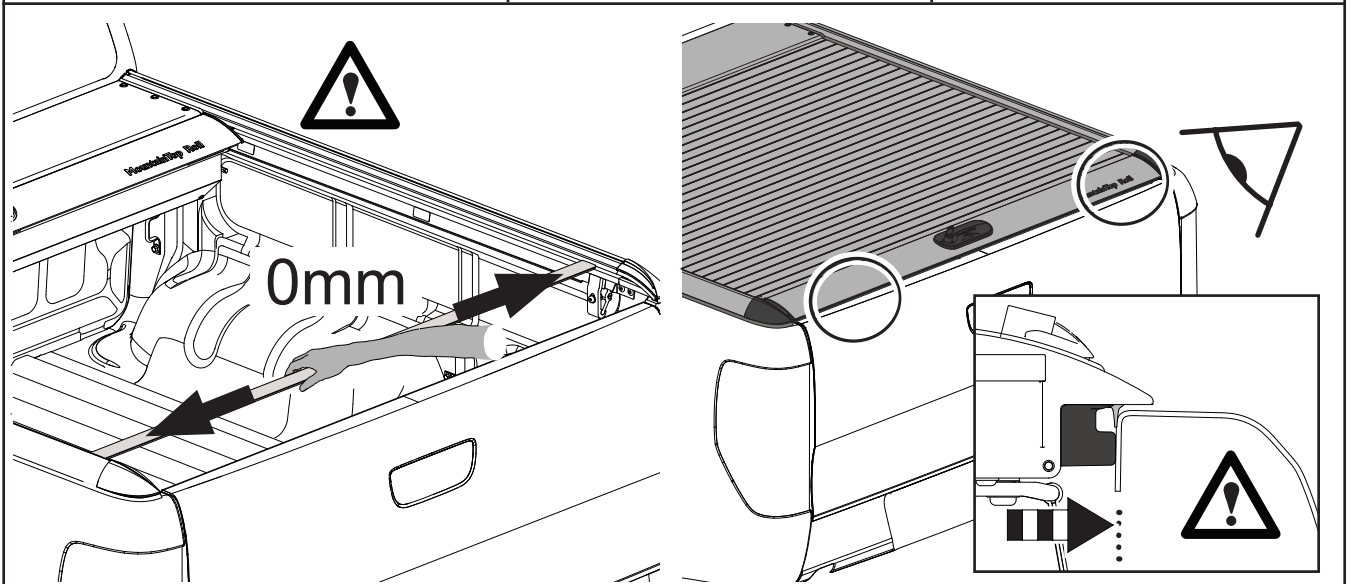
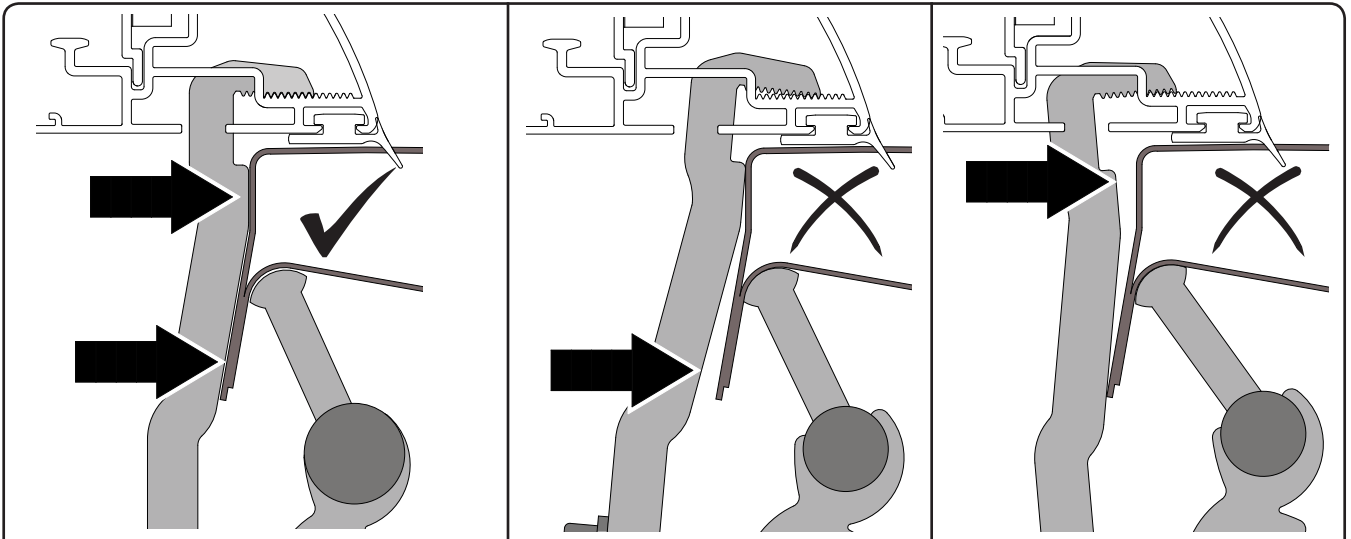




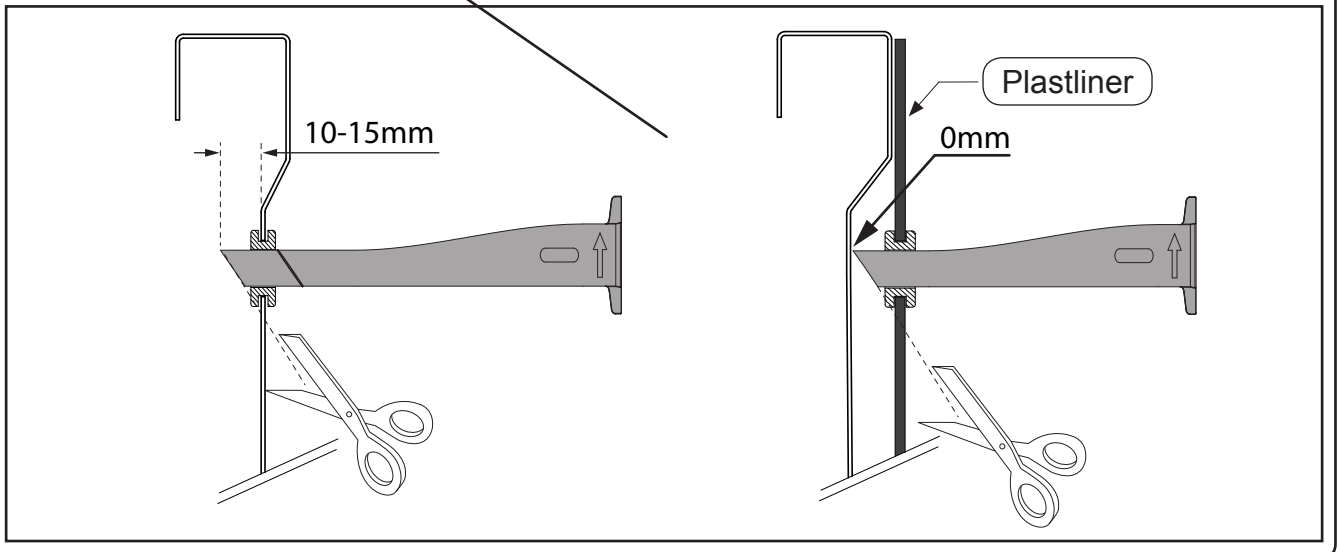
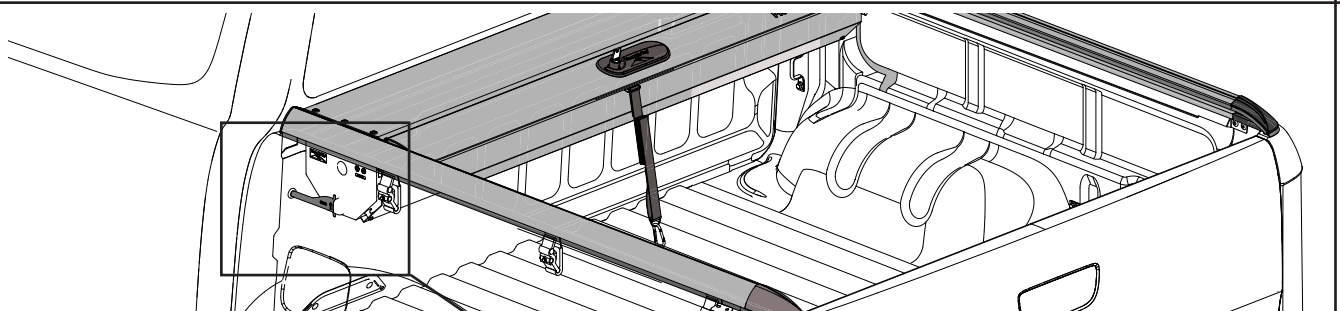
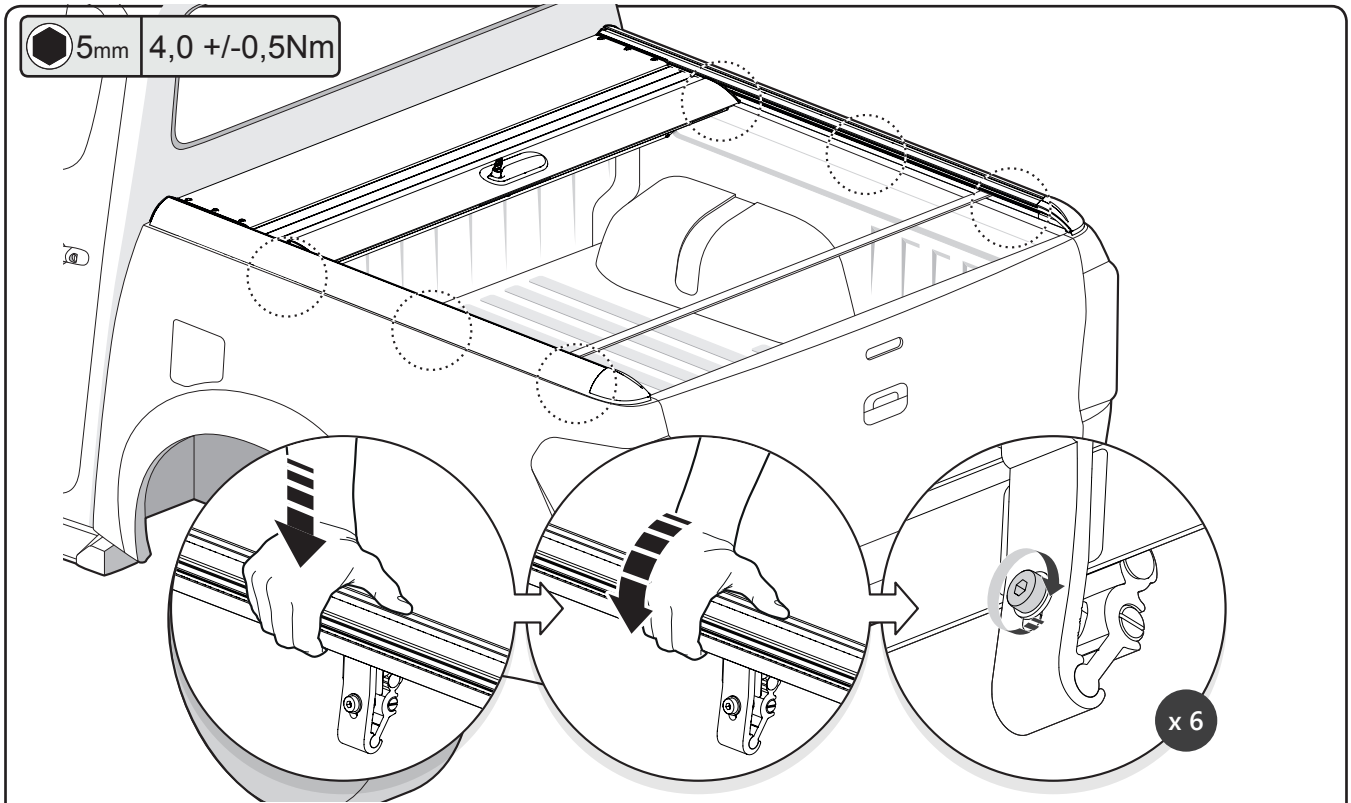
Mountain Top Roll  
Installation Instructions



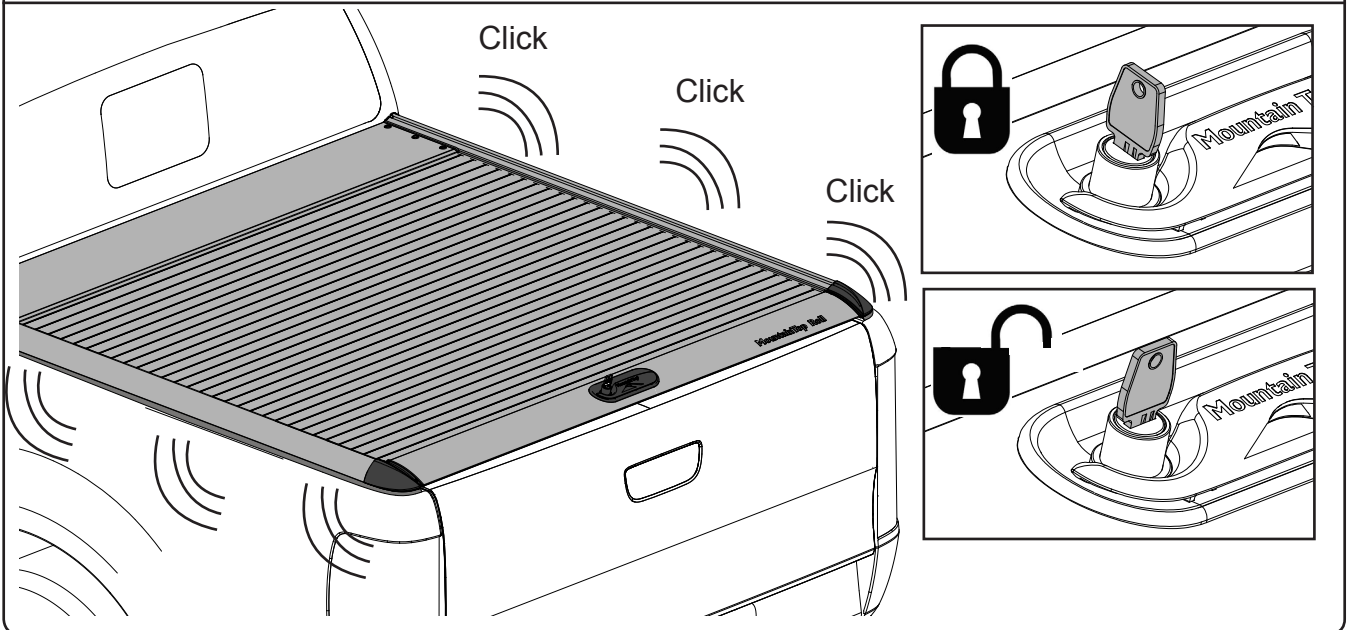
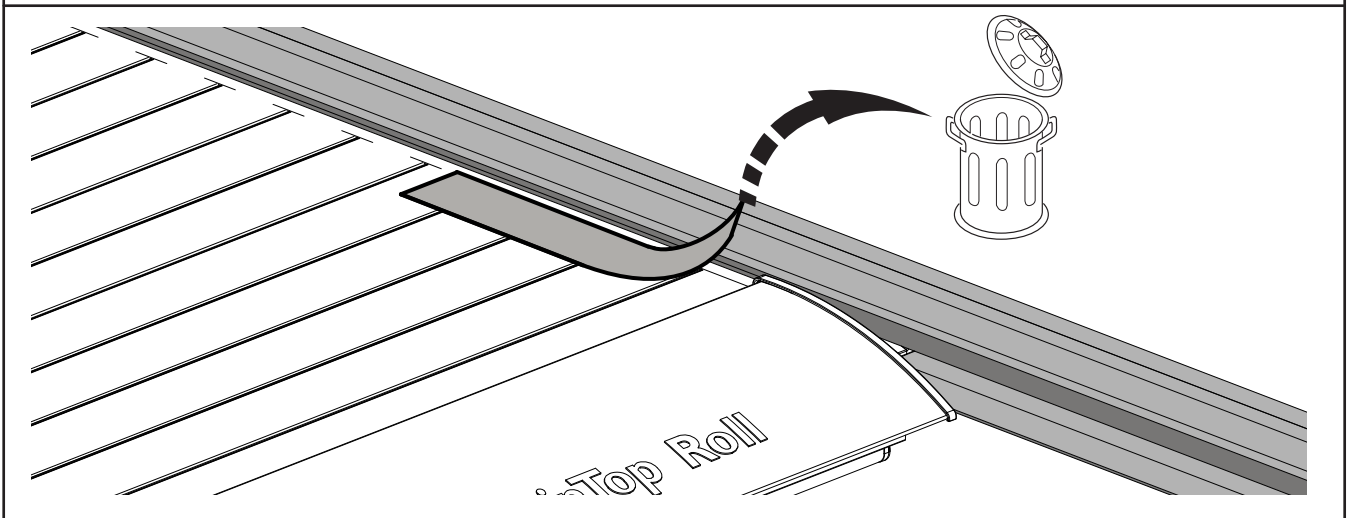
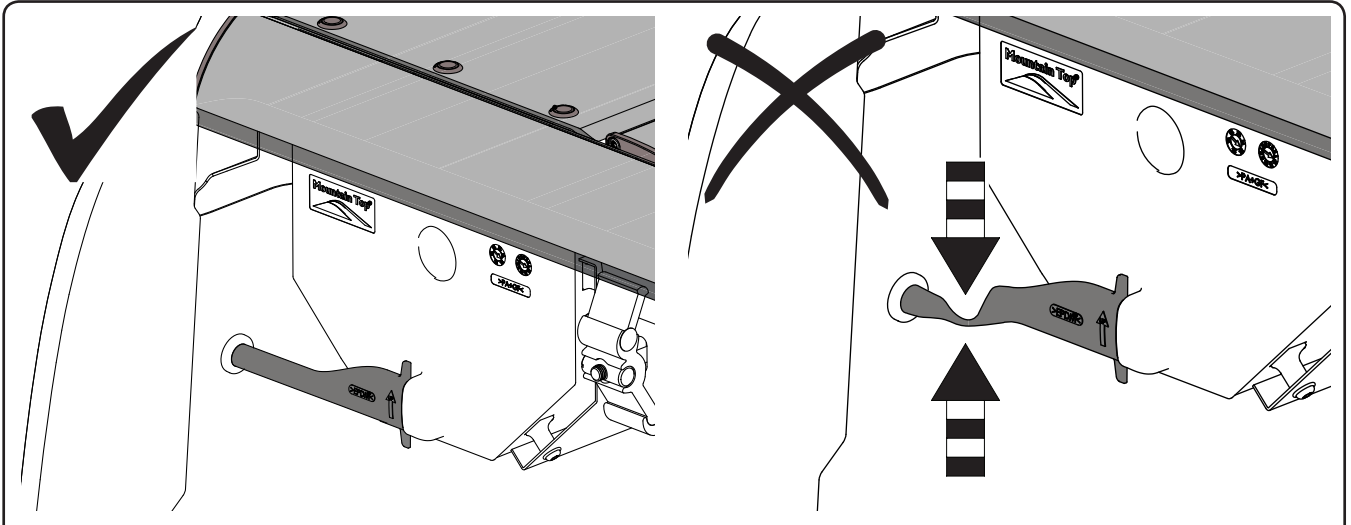
Mountain Top Roll  
Installation Instructions



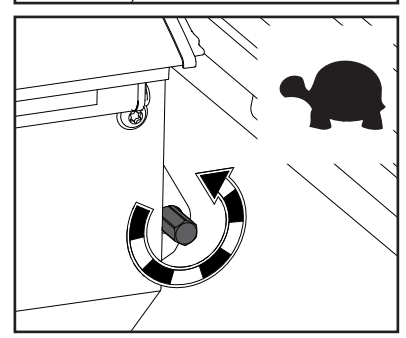
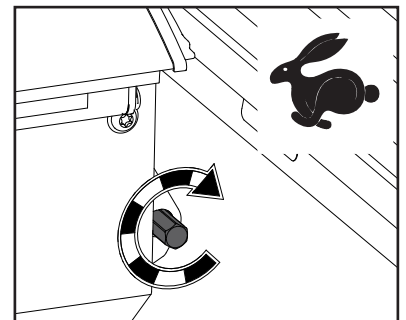
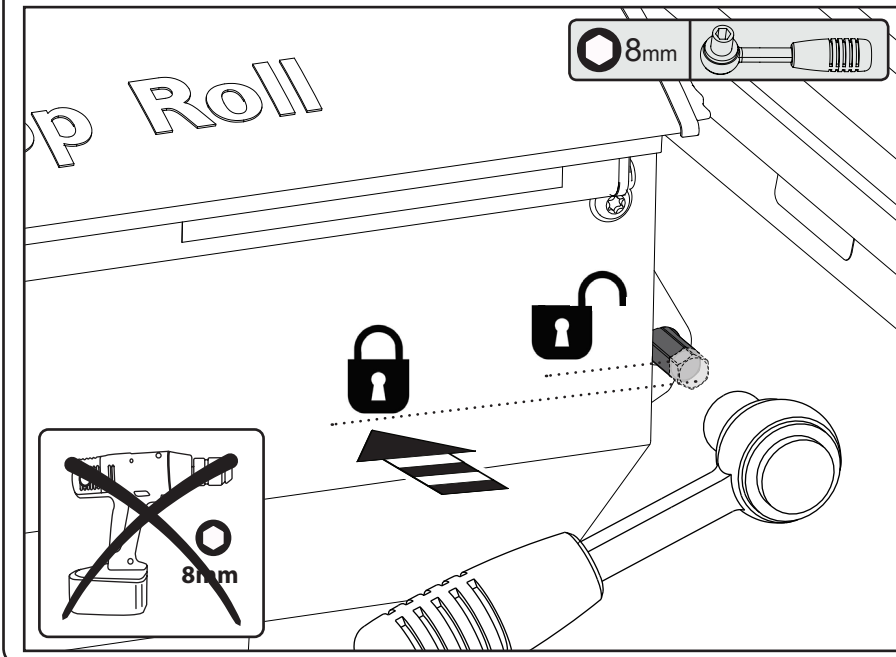
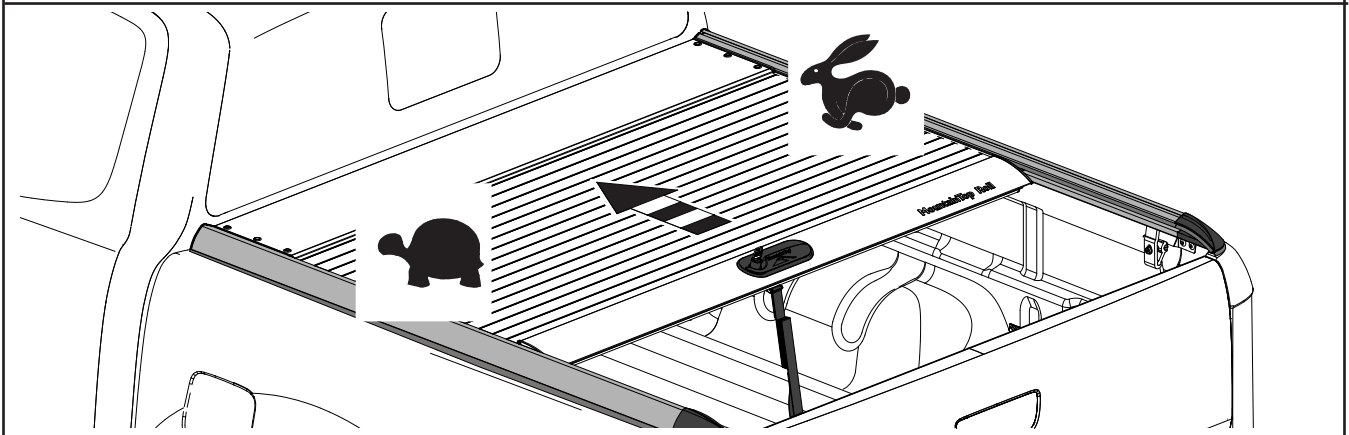
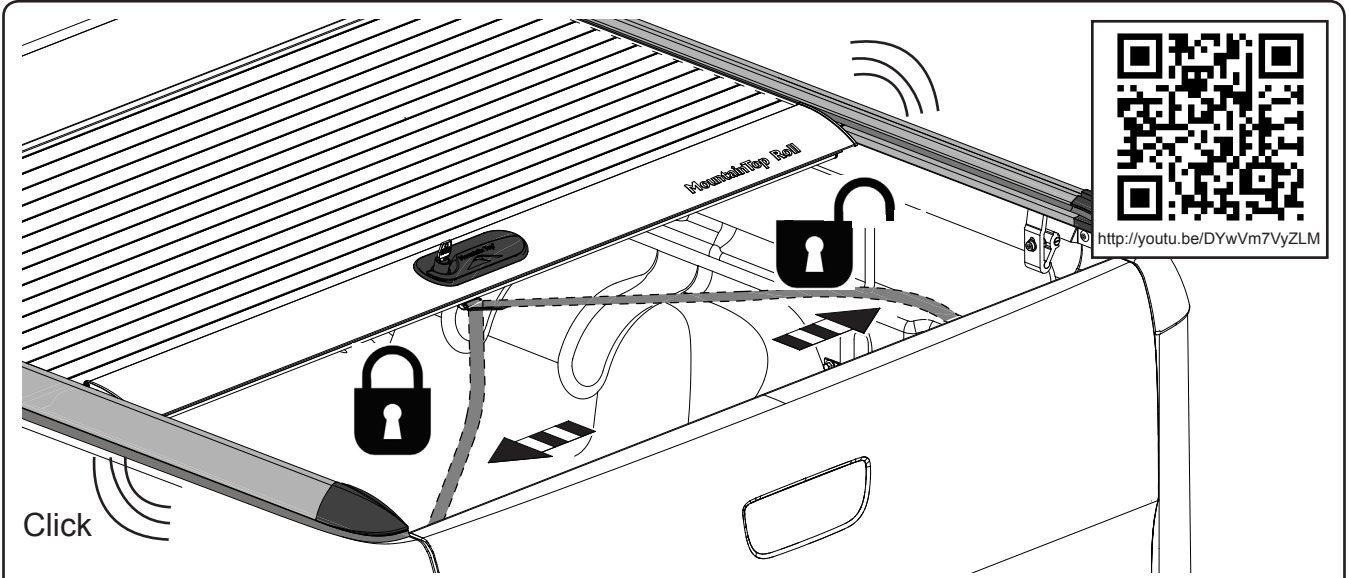
Mountain Top Roll  
Installation Instructions



Mountain Top Roll  
Installation Instructions



Mountain Top Roll  
Installation Instructions





Mountain Top Roll  
Installation Instructions

